



April 6, 2026

Addendum #1 - IFB 26-018 Nitrifying Filter Splitter Box Valve Improvements at Wright Smith Jr. Wastewater Treatment Facility

Prospective Bidders:

The above solicitation is amended as set forth below; bidders **MUST** acknowledge receipt of this addendum. **Please sign & return this form with your sealed bid.**

1. Please see the attached updated bid documents that will replace the original bid documents posted on March 5, 2026.
2. Bid due date has been changed to 10:30 am on April 16, 2026.

Printed Name

Date

Signature

Email Address

Company Name

Telephone Number

Company Address

City, State, Zip



Joyce Sawyer, Buyer II
Board of Water and Sewer Commissioners

INVITATION FOR BID
March 5, 2026
Revised 4/6/26

INVITATION FOR BID NUMBER	IFB 26-018
PROJECT #	M5712-2825
NAME OF BID	Nitrifying Filter Splitter Box Valve Improvements at Wright Smith Jr. Wastewater Treatment Facility
BIDS WILL BE RECEIVED AT	MAWSS Bid Box East Visitor Entrance 4725 Moffett Road Mobile, AL 36618 If sending bids by UPS/Fed Ex, deliver to the Warehouse: 1610 Shelton Beach Rd. Ext., Mobile, AL 36618
MANDATORY PREBID MEETING	10:00 am on March 18, 2026 at Wright Smith WWTP located at 1879 Conception St. Rd.
BID OPENING DATE	March 25, 2026 April 16, 2026
BID CLOSING TIME	10:30 am Central Time
AWARD WILL BE MADE BY	Total Cost & Lead Time
MATERIAL DELIVERED TO	MAWSS Wright Smith WWTP 1879 N. Conception St. Rd. Mobile, AL 36610
ADDITIONAL INFORMATION CONTACT	Billy Wilkerson (251) 604-5840 wwilkerson@mcwinc.com
APPLICABLE SDP POLICY	17-01

Sealed bids must be in the Purchasing Department no later than the time specified in order to be considered. Submissions received after the deadline will not be considered. Envelopes must bear the name of the supplier, company address and the words “**IFB 26-018 Nitrifying Filter Splitter Box Valve Improvements**” or “**IFB 26-018 NO QUOTE.**” Facsimile or email bids will not be accepted.

All bids must be submitted on the attached forms or your bid will be disqualified. Bidder shall furnish all the information required by the solicitation. The bidder’s name must be typed or printed on the bid sheet and signed by the bidder or appropriate authorized executive officer of the bidder’s company. Bidders must initial any changes or erasures. Bidders should retain a copy of bids for their records.

Bidders shall acknowledge receipt of all addenda to this solicitation by signing and returning each addendum or by identifying the addendum number and the date on the bid form. Failure to acknowledge receipt of any addendum by a bidder will result in rejection of the bid if MAWSS determines that the addendum contains information that materially changes the requirements.

All bids shall be quoted FOB Destination, freight prepaid with no additional charges. Unless otherwise specified in the bid, all prices will be on a firm-fixed price basis and are not subject to adjustments based on costs incurred. MAWSS reserves the right to reject any or all bids submitted, to waive any informality in any bid or in the bid process, or to terminate the bid process at any time, if deemed by MAWSS to be in MAWSS’s best interest.

A Purchase Order and this “Invitation for Bid” with “Specifications,” “Conditions,” “Bid Form,” signed by the successful bidder’s authorized representative, and all attached drawings and other documents furnished by MAWSS to the bidders with the Invitation for Bid in order to illustrate the contract requirements, will constitute a contract for the goods and/or services to be purchased.

IFB 26-018 NITRIFYING FILTER SPLITTER BOX VALVE IMPROVEMENTS CONDITIONS

The Board of Water and Sewer Commissioners of the City of Mobile will accept bids for the **Nitrifying Filter Splitter Box Valve Improvements** in our Purchasing Department Bid Box located at the East Visitor Entrance at 4725 Moffett Road, Mobile, AL 36618 **no later than 10:30 a.m.** local time on ~~March 25, 2026~~ **April 16, 2026**. Bids will be opened immediately after bid closing time in the Operations Center Board room located at the East Visitor Entrance. Award will be by **Total Cost & Lead Time**. The bidder offers and agrees, if this bid is accepted, to furnish the items as defined in the specifications for the unit price set opposite each item. Pricing shall be FOB Mobile, Alabama. All items shall be delivered to **Wright Smith Jr. WWTP** located at **1879 Conception St Rd.** or to the job site as needed. The bidder shall state the expected length of delivery time on the Bid Form.

A mandatory Pre-Bid meeting will be held between representatives of Contractor and representatives of MAWSS prior to the bid opening. The Pre-Bid meeting is scheduled for **10:00 am on March 18, 2026, at Wright Smith WWTP** located at **1879 Conception St. Rd. Mobile, AL 36610**.

Bidder understands and agrees that manufacturer and part numbers are provided for descriptive purposes only. Items of equal or better quality will be considered but must be approved by MAWSS in writing. Upon delivery, if the quality, durability or performance of any product represented as equal or better is determined by MAWSS to be unsatisfactory, MAWSS will require a suitable substitute or will require that the originally specified item be delivered, at the unit price originally offered by bidder. No substitution for items to be provided pursuant to this contract shall be permitted during the contract period without the express written consent of MAWSS. All items provided shall be for commercial use and for the purposes reflected in the contract documents.

No bid on closed out or discontinued item(s) will be accepted. Item(s) that have a determinable shelf life must be disclosed at the time of bid submittal. Bidder understands that his/her bid shall be good and may not be withdrawn for a period of sixty (60) calendar days after the scheduled closing time for receiving bids.

Bidder understands and agrees that quantities will be purchased by MAWSS on an "as needed" basis to replenish inventory. MAWSS shall not be committed to the purchase of a pre-established minimum quantity for any one item.

A bidder may not modify its bid after bid opening. Errors in the extension of unit prices stated in a bid or in multiplication, division, addition or subtraction in a bid may be corrected by the MAWSS Purchasing Buyer prior to award. In such cases, unit prices shall not be changed.

It is the responsibility of the bidder to determine prior to the bid opening whether any amendment, additions, deletions or changes of any type have been made to this Invitation for Bid, Conditions, Specifications, Bid Form or any of the other bid documents. Bid documents and any amendments made to this bid will be posted on our website at www.mawss.com.

A copy of the SDP (Supplier Diversity Program) policy that applies to this Invitation For Bid can be furnished upon request. It is the responsibility of the bidder to read and make efforts to meet the goals of this policy. Please contact the Supplier Diversity Department at supplier.diversity@mawss.com for any questions regarding this policy. **Bidders MUST acknowledge receipt of this policy by submitting the SDP Policy Acknowledgement and the Subcontracting Plan/Good Faith Effort form with the bid proposal, regardless if using a Diverse Contractor/Supplier or not.** Contractors are required to use Contractors/Suppliers only in the areas for which the Contractors/Suppliers are certified.

Invoicing Requirements: MAWSS requires additional information for all work performed and services provided. On the vendor's invoice for payment should be a detailed listing of work performed, services provided, dates completed, locations involved and any other pertinent information needed to verify the work and/or services were completed in accordance to the bid specs. This additional information can be supplied in the form of detailed invoices, work orders, checklists or any other documents used to track the work performed or services provided but details must be included on the actual invoice. A copy of the invoice and these additional details must be sent to the "ADDITIONAL INFORMATION CONTACT" found on Page 1 of the bid documents and a copy emailed to Accounts Payable at AcctsPayable@mawss.com.

END OF CONDITIONS

**BOARD OF WATER AND SEWER COMMISSIONERS
OF THE CITY OF MOBILE, ALABAMA**

Proposal, Contract Documents and Specifications

**NITRIFYING FILTER SPLITTER BOX VALVE
IMPROVEMENTS AT WRIGHT SMITH JR
WASTE WATER TREATMENT FACILITY**

McCrary and Williams Project No. M5712-2825

IFB 26-018

**McCRORY & WILLIAMS, INC.
3207 INTERNATIONAL DRIVE
SUITE G
MOBILE, ALABAMA 36606**

MARCH 2026

TABLE OF CONTENTS

CONTRACT DOCUMENTS

BIDDER'S CONTACT INFORMATION SHEET
PROPOSAL
BID BOND

SECTION 1 INSURANCE REQUIREMENTS

SECTION 2 SPECIAL PROVISIONS

SECTION 3 GENERAL REQUIREMENTS

APPENDIX

A: VICINITY MAPS

B: SUGGESTED ALIGNMENT

PROPOSAL

**TO: BOARD OF WATER AND SEWER COMMISSIONERS
OF THE CITY OF MOBILE, ALABAMA**

Submitted: _____
(Date)

The undersigned, as Bidder, hereby declares that he has examined the site of the Work and informed himself fully in regard to all conditions pertaining to the place where the Work is to be done; that he has examined the Plans and Specifications for the Work and all Contract Documents relative thereto, and has read the Board's Standard Specifications and all General Conditions and Special Provisions furnished; and that he has satisfied himself relative to the Work to be performed.

The Bidder proposes and agrees, if this Proposal is accepted, to contract with the Board of Water and Sewer Commissioners of the City of Mobile, Alabama, in the form of contract specified to furnish all materials, equipment, machinery, tools, apparatus, means of transportation and labor necessary to complete the following Work:

Nitrifying Filter Splitter Box Valve Improvements at
Wright Smith Jr. Waste Water Treatment Facility
PROJECT NO. M5712-2825/IFB 26-018

in full and complete accordance with the shown, noted, described and reasonably intended requirements of the Plans, Specifications and all other Contract Documents to the full and entire satisfaction of the Board of Water and Sewer Commissioners of the City of Mobile, Alabama with a definite understanding that no money will be allowed for extra work except as set forth in the attached General Conditions and other Contract Documents for the lump sum or unit prices listed opposite each item.

It is agreed that the description under each item, being briefly stated, implies, although it does not mention, all incidentals and that the prices stated are intended to cover all such work, materials and incidentals as constitute Bidder's obligations as described in the Specifications and any details not specifically mentioned, but evidently included in the Contract shall be compensated for the item in which it most logically is included.

The quantities for bid items listed on the Proposal sheet are estimated quantities only for the purpose of comparing bids. Any differences between these estimated quantities and actual quantities required for this Contract shall not be taken as a basis for claims by the Contractor for extra compensation. Compensation will be based on the lump sum or unit prices and actual construction quantities.

<u>ITEM #</u>	<u>DESCRIPTION</u>	<u>UNIT OF MEASURE</u>	<u>QTY</u>	<u>UNIT PRICE DOLLARS/CENTS</u>	<u>TOTAL DOLLARS/CENTS</u>
<u>BASE BID</u>					
<u>SPLITTER BOX</u>					
SS-1	INSTALL 36" GATE VALVE (FLANGE / M.J.) (OWNER FURNISHED)	EA	2		
SS-2	FURNISH AND INSTALL VALVE BOX FOR 36" GATVALVE	EA	2		
CO-1	CONTINGENCY ITEM	LS	1	\$20,000	\$20,000
<u>INTERMEDIATE CLAIFIERS</u>					
SS-3	FURNISH AND INSTALL 30" GATE VALVE (M.J.) WITH BOX	EA	2		
SS-4	FURNISH AND INSTALL VALVE BOX FOR 30" VALVE	EA	2		
CO-1	CONTINGENCY ITEM	LS	1	\$10,000	\$10,000
BASE BID TOTAL:					

Notes:

1. The Quantities listed in this proposal are for determining the low bidder and in no way represent the quantities to be performed in this contract. If the Owner considers the unit price bid too costly, the Owner may use other resources to perform that item.
2. The contract amount performed shall not exceed MAWSS budget for this work, which may be significantly less than contract amount awarded.
3. Proposals in which the unit or lump sum prices bid are obviously unbalanced may be rejected in accordance with MAWSS standard specifications.

Company Name _____ Payment Terms _____

Address _____ City, State, Zip _____

Submitted By _____ Title _____

Please Print

Phone _____ Email Address _____

Please Print

The signer declares under penalty of perjury that she/he is authorized to sign this document and bind the company or organization to all terms and conditions of this agreement.

Signature _____ Date _____

The Bidder further proposes and agrees hereby to commence the Work with an adequate force, plant and equipment at the time stated in the notice to the Contractor from the Engineers to proceed, and fully complete performance within **one hundred twenty (120)** consecutive calendar days from and after the date stated in said notice.

The undersigned further agrees that, in case of failure on his part to execute the said Contract and the bond within 10 consecutive calendar days after written notice being given of the award of the Contract, the check or bid bond in the amount of 5 percent of this bid, not to exceed \$10,000, accompanying this bid, and the monies payable thereon, shall be paid into the funds of the Board of Water and Sewer Commissioners of the City of Mobile, Alabama as liquidated damages for such failure; otherwise the check or bid bond accompanying this Proposal shall be returned to the undersigned:

Attached hereto is a certified check on the _____

_____ Bank of _____

or a Bid Bond for the sum of _____

_____ Dollars (\$_____)

made payable to the Board of Water and Sewer Commissioners of the City of Mobile, Alabama.

By _____
(Legal Signature)

(Printed Name and Title)

Witness: _____
(Legal Signature)

Witness: _____
(Legal Signature)

CONTRACTOR'S LICENSE NO:

BIDDER acknowledges receipt of the following ADD

BID BOND

KNOW ALL MEN BY THESE PRESENTS:

That we, _____
(Name of Bidder)

_____, as Principal,
(Address)

and _____
(Name of Surety)

of _____, as Surety,
(Address)

jointly and severally, hereby bind ourselves, our heirs, executors, administrators, successors, and assigns to the **Board of Water and Sewer Commissioners of the City of Mobile, Alabama**, as the Owner, in the **PENAL SUM of five percent (5%) of the amount of the Principal's bid, but in no event more than Ten Thousand Dollars (\$10,000.00)**.

THE CONDITION OF THIS OBLIGATION is that the Principal has submitted to the Owner the attached bid, which is incorporated herein by reference, for the Project identified as:

**Nitrifying Filter Splitter Box Valve Improvements
at Wright Smith WWTP**

Project No. M5712-2825/IFB 26-018

NOW, THEREFORE, if, within the terms of the Bid Documents, the Owner accepts the Principal's bid and the Principal thereafter either:

- (a) executes and delivers a Construction Contract with the required Contract and Labor and Material Bonds (each in the form contained in the Bid Documents and properly completed in accordance with the bid) and delivers evidence of insurance as prescribed in the Bid Documents, or
- (b) fails to execute and deliver such Construction Contract with such Bonds and evidence of insurance, but pays the Owner the difference, not to exceed the Penal Sum of this Bond, between the amount of the Principal's Bid and the larger amount for which the Owner may award a Construction Contract for the same Work to another bidder,

then, this obligation shall be null and void, otherwise it shall remain in full force and effect.

The Surety, for value received, hereby stipulates and agrees that the obligation of the Surety under this Bond shall not in any manner be impaired or affected by any extension of the time within which the Owner may accept the Principal's bid, and the Surety does hereby waive notice of any such extension.

SIGNED AND SEALED this _____ day of _____,

ATTEST:

PRINCIPAL:

ATTEST:

By _____
Name and Title

SURETY:

By _____
Name and Title

SDP POLICY ACKNOWLEDGEMENT*

A copy of the SDP (Supplier Diversity Program) policy that applies to this Invitation For Bid has been included in this package. It is the responsibility of the bidder to read and make efforts to meet the goals of this policy. Please contact the Supplier Diversity Department at supplier.diversity@mawss.com for any questions regarding this policy. **Bidders MUST acknowledge receipt of this policy and submit the documentation with the bid proposal.**

Bidders shall take all necessary and reasonable steps in accordance with this Policy to ensure that Diverse Contractors/Suppliers have the maximum allowable opportunity to compete for subcontracts and contracts for services, supplies, or other goods. Bidders shall not discriminate in awarding subcontracts and supplier contracts on the basis of race, color, national origin, ethnicity, or sex, during the bid process as well as during performance of a MAWSS contract.

The following documentation must be included in the bid proposal.

- SDP Policy Acknowledgement **and**
- Subcontracting Plan

Please refer to the attached policy for more information regarding these requirements as well as all other requirements, if participating in the SDP Program.

The signer declares under penalty of perjury that she/he is authorized to sign this document and bind the company or organization to all requirements of this policy.

Company Name _____

Submitted By _____ Title _____
Please Print

Signature _____ Date _____

***Required to sign and return with bid**

SUBCONTRACTING PLAN/GOOD FAITH EFFORT*

In order for your proposal to be considered, you must complete all blanks in this Subcontracting Plan and sign with a handwritten signature where indicated below and include this form in your proposal.

Failure to fill in the blanks on this Subcontracting Plan and/or to include a handwritten signature may cause for rejection of your bid.

It is MAWSS's goal that in all contracts, contractors shall make a demonstrated good faith effort to award 15% of the contract amount to certified Diverse Contractors/Suppliers as subcontractors and/or suppliers performing commercially useful functions which are consistent with contract requirements.

Copies of MAWSS SDP Policy 16-01 (for public works projects), SDP/Supplier Diversity Policy 17-01 (for contracts for other goods and services), and links to organizations that have information on SDPs/Diverse Suppliers can be found by visiting our website at <https://www.mawss.com/bids/supplier-diversity-program/>.

STATE WHAT PERCENTAGE OF THE WORK FOR THIS CONTRACT YOU PLAN TO AWARD TO SDP/DIVERSE SUPPLIER SUBCONTRACTORS AND/OR VENDORS	TOTAL %
ESTIMATED TOTAL DOLLAR AMOUNT TO BE AWARDED TO SDP/DIVERSE SUPPLIER	TOTAL \$
AMOUNT BID FOR THIS CONTRACT	TOTAL \$

Please list below all subcontractors and suppliers which you plan to use for this contract. Also indicate which of these are SDPs / Diverse Suppliers by writing "Yes" or "No" where indicated. Also list for each the percentage of the total contract amount to be performed by each and the certification group the SDP / Diverse Supplier is certified with. Attach additional sheets if needed.

SUBCONTRACTOR/VENDOR NAME	SDP/DIVERSE SUPPLIER <small>(Yes or No)</small>	% OF CONTRACT	CERTIFICATION GROUP <small>(ALDOT, ADECA, SRMSDC, BCIA)</small>
_____	_____	_____	_____
_____	_____	_____	_____
_____	_____	_____	_____
_____	_____	_____	_____
_____	_____	_____	_____
_____	_____	_____	_____

CAUTION: ACCURATELY COMPLETE ALL PARTS OF THIS FORM AND SIGN BELOW.

GOOD FAITH EFFORT ACKNOWLEDGEMENT/AFFIDAVIT

I/WE EXERCISED GOOD FAITH TO COMPLY WITH THIS PLAN AND MAWSS' SDP REQUIREMENTS.

BIDDER/COMPANY

BY (Signature)

***Required to sign and return with bid**

SECTION 1
INSURANCE REQUIREMENTS

SECTION 1
INSURANCE REQUIREMENTS

1.0 **GENERAL:**

The Contractor must provide insurance coverage and proof thereof for the duration of this Contract.

- A. **CONTRACTOR COVERAGE'S:** The Contractor shall not commence work under this Contract until he has obtained all insurance required under the following paragraphs and until such insurance has been approved by the Owner, nor shall the Contractor allow any subcontractor to commence work on his subcontract until all similar insurance required of the subcontractor has been obtained and approved. If the subcontractor does not take out insurance in his own name, the principal contractor shall provide such insurance protection for the subcontractor and subcontractor's employee.
- B. **INSURANCE:** The following insurance coverage's (with limits not less than specified herein) shall be maintained by the Contractor for the duration of the Contract, affording coverage for any claim arising out of the Contractor's operations herein, whether by the Contractor or any subcontractor or by any Employee or Agent of either.
- i. Claims of employees under Worker's Compensation and other similar employee benefit acts, including claims because of bodily injury, occupational sickness or disease, or death.
 - ii. Claims arising out of bodily injury, sickness, disease or death of any person other than employees.
 - iii. Claims for damages arising out of libel, slander, false arrest, detention or imprisonment, malicious prosecution, defamation or violation of right of privacy, wrongful entry or eviction or other right of private occupancy, including claims as a result of an offense related to the employment of a claimant by Contractor. (So-called "Personal Injury")
 - iv. Claims arising out of damage to, or destruction of, tangible property, including loss of use.

When and if the use of explosives for blasting purposes appears necessary or desirable, such methods shall not be undertaken without written authorization of the Owner, and then only provided that acceptable extensions of liability coverage have been obtained specifically to include the explosion ("X") hazard and the collapse ("C") hazard.

The policy of general liability shall include the special underground property damage coverage (providing the so-called "U" hazard) on a blanket basis.

LIMITS OF LIABILITY:

Worker's Compensation	Statutory
Employer's Liability	\$500,000 Each Accident \$500,000 By Disease Each Employee \$500,000 By Disease - Policy Limit
Commercial Automobile	\$1,000,000 Each Accident Bodily Injury and Property Damage Combined
General Liability	\$1,000,000 Each Occurrence \$1,000,000 Personal & Advertising Injury \$2,000,000 General Aggregate \$2,000,000 Products & Completed Operations Aggregate

- C. **OWNER'S PROTECTIVE LIABILITY:** The Contractor shall furnish from a carrier acceptable to the Owner a policy of liability insurance, commonly called "Owner's Protective Liability," in the name of the Owner, providing "Independent Contractor's Coverage" for the operations embraced by this Contract with limits of \$1,000,000 combined bodily injury and property damage. Policy premium is to be paid by the named Contractor.
- D. **UMBRELLA LIABILITY:** In addition to the basic limits previously set out for Commercial General Liability, Products and Completed Operations, Automobile Liability and Worker's Compensation and Employer's Liability, Contractors Shall Provide Umbrella Liability limits of \$5,000,000.00 per occurrence and aggregate.

E. **PROPERTY INSURANCE:**

- i. The Contractor shall assume complete responsibility for safe-guarding all portions of the Work in progress, whether completed or not, until such work has been accepted by the Owner, and shall maintain such insurance to protect himself against perils which may cause such property to be damaged or destroyed. This coverage shall be similar to the former All Risks of Physical Loss Form, including if available, Collapse. Title to such work in progress, whether completed or not, shall remain vested in the Contractor until finally accepted by the Owner.
- ii. **Coverage Form:** Coverage shall be provided on an actual completed value Builder's Risk Form or, if more appropriate, an installation floater in the joint name of the Contractor and Owner for the duration of the Contract.

The Owner (MAWSS) has the option of providing Builder's Risk coverage for any projects undertaken by a Contractor. If the Owner exercises this option, the Contract Proposal will appropriately indicate this and provide for separately showing the costs of the Builder's Risk coverage in the Bid.

- F. **CERTIFICATION:** The Contractor shall furnish policies verifying that the above coverages are in effect before commencing any work, and that each policy is endorsed to give the Owner 30 days' notice in writing in the event of cancellation or material change therein. Certificates of Insurance shall state that the Owner be named as additional insureds on the Contractor's Automobile Liability and Comprehensive General Liability policies. In respect to Worker's Compensation, Waiver of Subrogation shall be issued in favor of the Owner.

SECTION 2
SPECIAL PROVISIONS

SECTION 2
SPECIAL PROVISIONS

2.1 SAFETY AND HEALTH REQUIREMENTS:

NOTICE TO CONTRACTS, VENDORS, SUPPLIERS AND DELIVERY COMPANIES PERFORMING WORK FOR THE BOARD OF WATER AND SEWER COMMISSIONERS OF THE CITY OF MOBILE:

1. Any party performing work or making deliveries on Mobile Area Water and Sewer System (MAWSS) property, public property, or private property for the MAWSS shall report details of any accident causing injury to employees other than MAWSS personnel within 24 hours to the designated MAWSS employee having responsibility for that work site or work activity.

Upon notification to appropriate MAWSS site personnel, the Contractor will notify the MAWSS Safety Department in written format as found on the “MAWSS Contractor Accident Report” so that records may be maintained for informational purposes.

The Board of Water and Sewer Commissioners will not accept liability for accidents or injury to personnel, damage to equipment or theft of property involving contractors, vendors, suppliers or delivery companies.

2. To conduct business with the Board of Water and Sewer Commissioners, contractors, vendors, suppliers or delivery companies must certify in writing that they have in force a drug and alcohol policy at least equal to that established for the Mobile Area Water and Sewer System’s zero tolerance drug policy.

The Contractor shall comply with the Department of Labor Safety and Health Regulations for construction promulgated under the Occupational Safety and Health Act of 1970 (P.L. 91-54) and any amendments or additions thereto, where excavation and trenching are required the contractor shall comply with the requirements of OSHA Excavation and Trenching Safety Regulations (29 CFR Part 1926 – Excavation, Final Rule), and any amendments or additions thereto.

The Contractor shall be familiar and comply with the Board’s Safety Rules Handbook in so far as it augments the specific regulation referred to in this Section.

The Contractor alone shall be responsible for initiating, maintaining and supervising all safety precautions and programs in connection with the Work. The Contractor shall take all necessary protection to prevent damage, injury or loss to:

3. All employees on the Work and other persons and organizations who may be affected thereby.
4. All the Work and materials and equipment to be incorporated therein, whether in storage on or off the site; and
5. Other property at the site or adjacent thereto, including trees, shrubs, lawns, walks, pavements, roadways, structures, utilities, and Underground Facilities not designated for removal relocation or replacement in the course of construction.

6. The Contractor shall comply with all applicable Laws and Regulations of any public body having jurisdiction for the safety of persons or property or to protect them from damage, injury or loss; and shall erect and maintain all necessary safeguards for such safety and protection. The Contractor shall notify owners of adjacent property and of Underground Facilities and utility owners when prosecution of the Work may affect them, and shall cooperate with them in the protection, removal, relocation and replacement of their property. All damage, injury or loss to any property referred to above in Paragraphs 2 and 3 caused, directly or indirectly, in whole or in part, by Contractor any Subcontractor, Supplier or any other person or organization directly or indirectly employed by any of them to perform or furnish any of the Work or anyone for whose acts any of them may be liable, shall be remedied by the Contractor. The Contractor's duties and responsibilities for the safety and protection of the Work shall continue until such time as all the Work is completed and Engineer has issued a notice to Owner and Contractor that the Work is acceptable.
7. The Contractor shall designate a responsible representative at the site whose duty shall be the prevention of accidents. This person shall be the Contractor's superintendent unless otherwise designated in writing by the Contractor to the Owner. The Contractor shall procure the referenced safety and health regulations, shall keep them on file at the job site, and shall require all supervisory personnel to become familiar with them.

2.2 VENDOR APPLICATION:

The Contractor is required to have a vendor application on file with the Mobile Area Water & Sewer System prior to receiving a contract. The Contractor may submit the application with their bids, but has to be on file or submitted before award of the project. Vendor applications can be obtained by contacting the Purchasing Department of the Mobile Area Water & Sewer System.

2.3 BASIS OF AWARD:

The OWNER shall award the Contract to the lowest responsible and responsive BIDDER based on the Total Base Bid price.

The OWNER reserves the right to reject any and all bids at their sole discretion.

2.4 RECEIPT OF BIDS:

Hand delivery of bids shall be made at MAWSS, 4725 Moffett Road, Mobile Alabama 36618.

SECTION 3
GENERAL REQUIREMENTS

SECTION 3
GENERAL REQUIREMENTS

3.1 GENERAL:

The Contractor shall provide all labor, equipment, materials, permits, and incidentals necessary to install in Proposal for the time period of **one hundred twenty (120) days** after the Notice to Proceed is issued.

Location maps, and site plans, details and technical specifications are provided in the Appendix.

The anticipated work shall include the installation of valves at the Splitter Box and Intermediate Clarifiers at Wright Smith Jr. Waste Water Treatment Facility.

3.2 PAY ITEM DESCRIPTIONS:

SS-1 Install 36" Gate Valve (Flange / M.J.) (Owner Furnished Valve): The unit price bid for this pay item shall be compensation in full for all labor, equipment, and incidentals necessary to install one (1) each (EA) owner furnished flange / M.J. ductile iron gate valve, complete in place and in accordance with the plans and these specifications.

Notes:

- **All Pipe shall be ductile iron pipe, Class 51, or better, Tyton Joint or approved equal. The exterior of all direct buried ductile iron pipe shall be coated with a zinc coating. The interior of all ductile iron sewer pipe is to be coated with Tnemec or Permox.**
- **All ductile iron sleeves, mega-lugs, and mega-flanges, of various sizes, complete in place, in accordance with the plans and MAWSS standard specifications. The exterior of all direct buried ductile iron fittings shall be coated with a zinc coating. All ductile iron fittings shall have an interior Tnemec or Permox coating.**
- **Connections to the existing concrete pipe shall utilize adapters manufactured by Thompson Pipe Group.**

SS-2 Furnish and Install Valve Box for 36" Gate Valve: The unit price bid for this pay item shall be compensation in full for furnishing all labor, equipment, materials and incidentals necessary to furnish and install one (1) each (EA) valve box for gate valve, complete in place and in accordance with the plans and specifications.

SS-3 Furnish and Install 30" Gate Valve (M.J.): The unit price bid for this pay item shall be compensation in full for furnishing all, labor, equipment, materials, and incidentals necessary to furnish and install one (1) each (EA) M.J. ductile iron gate valve, complete in place and in accordance with the plans and these specifications. The exterior of all direct buried ductile iron bends shall be wrapped in polyethylene sheathing (payment for the polyethylene sheathing shall be included in this pay item).

Notes:

- **All Pipe shall be ductile iron pipe, Class 51, or better, Tyton Joint or approved equal. The exterior of all direct buried ductile iron pipe shall be coated with a zinc coating. The interior of all ductile iron sewer pipe is to be coated with Tnemec or Permox.**
- **All ductile iron sleeves, mega-lugs, and mega-flanges, of various sizes, complete in place, in accordance with the plans and MAWSS standard specifications. The exterior**

of all direct buried ductile iron fittings shall be coated with a zinc coating. All ductile iron fittings shall have an interior Tnemec or Permox coating.

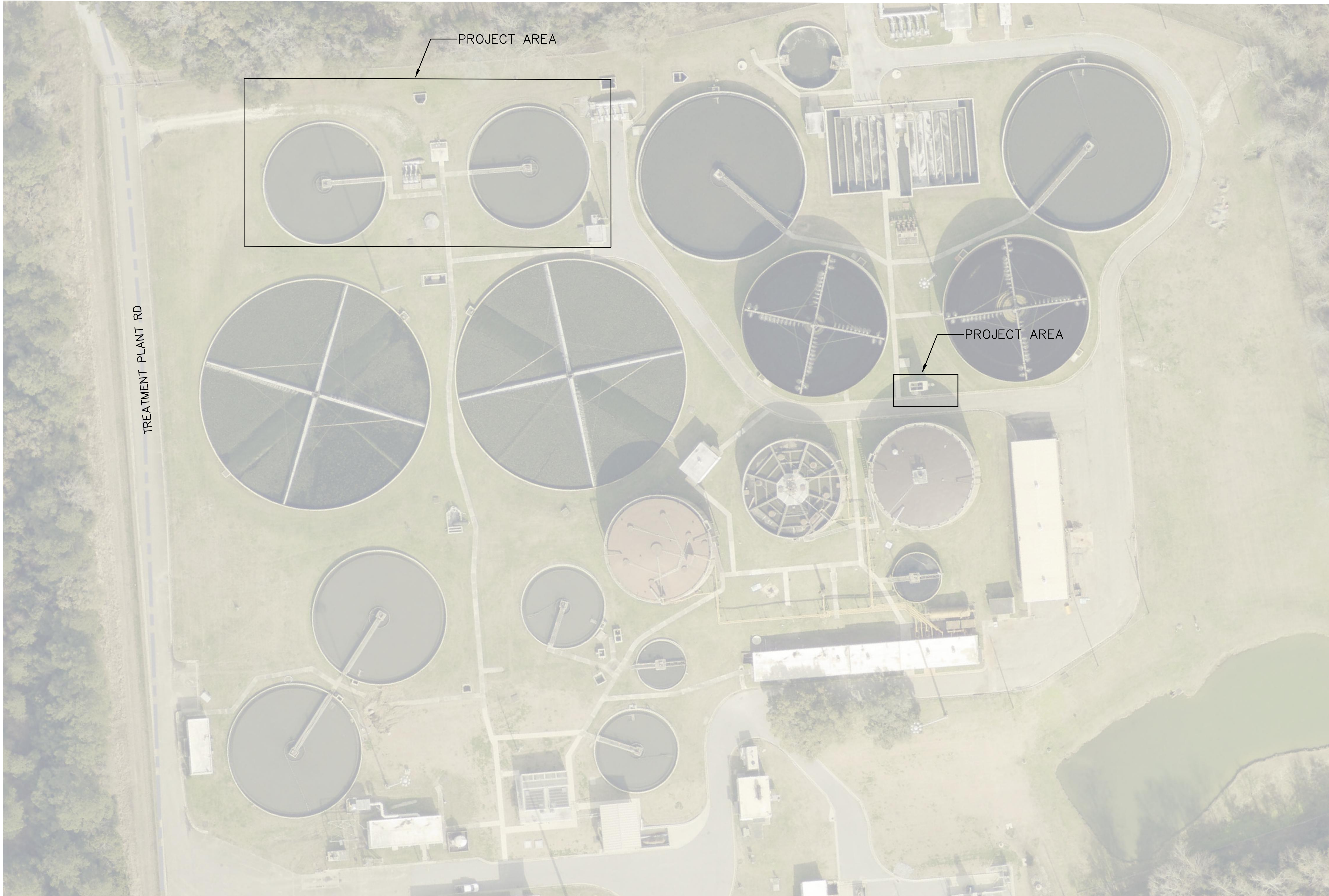
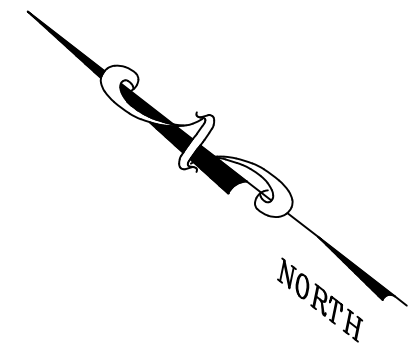
- **Connections to the existing concrete pipe shall utilize adapters manufactured by Thompson Pipe Group.**

SS-4 Furnish and Install Valve Box for 30” Gate Valve: The unit price bid for this pay item shall be compensation in full for furnishing all labor, equipment, materials and incidentals necessary to furnish and install one (1) each (EA) valve box for gate valve, complete in place and in accordance with the plans and specifications.

CO-1 Owner’s Contingency Allocation: The Owner Contingency Allowance shall be a cash allowance for the Owner’s use. In the event there are additions and/or changes to the work in the contract, the Owner will have the ability to use funds out of the Contingency Allowance to pay the Contractor for these items of work. Items included under the Contingency Allowance shall be first approved by the Owner and the Engineer prior to commencing the work. Any work completed without approval from the Owner/Engineer is at risk of non-payment.

APPENDIX A:
VICINITY MAP

VICINITY MAP
WRIGHT SMITH JR WASTEWATER TREATMENT FACILITY

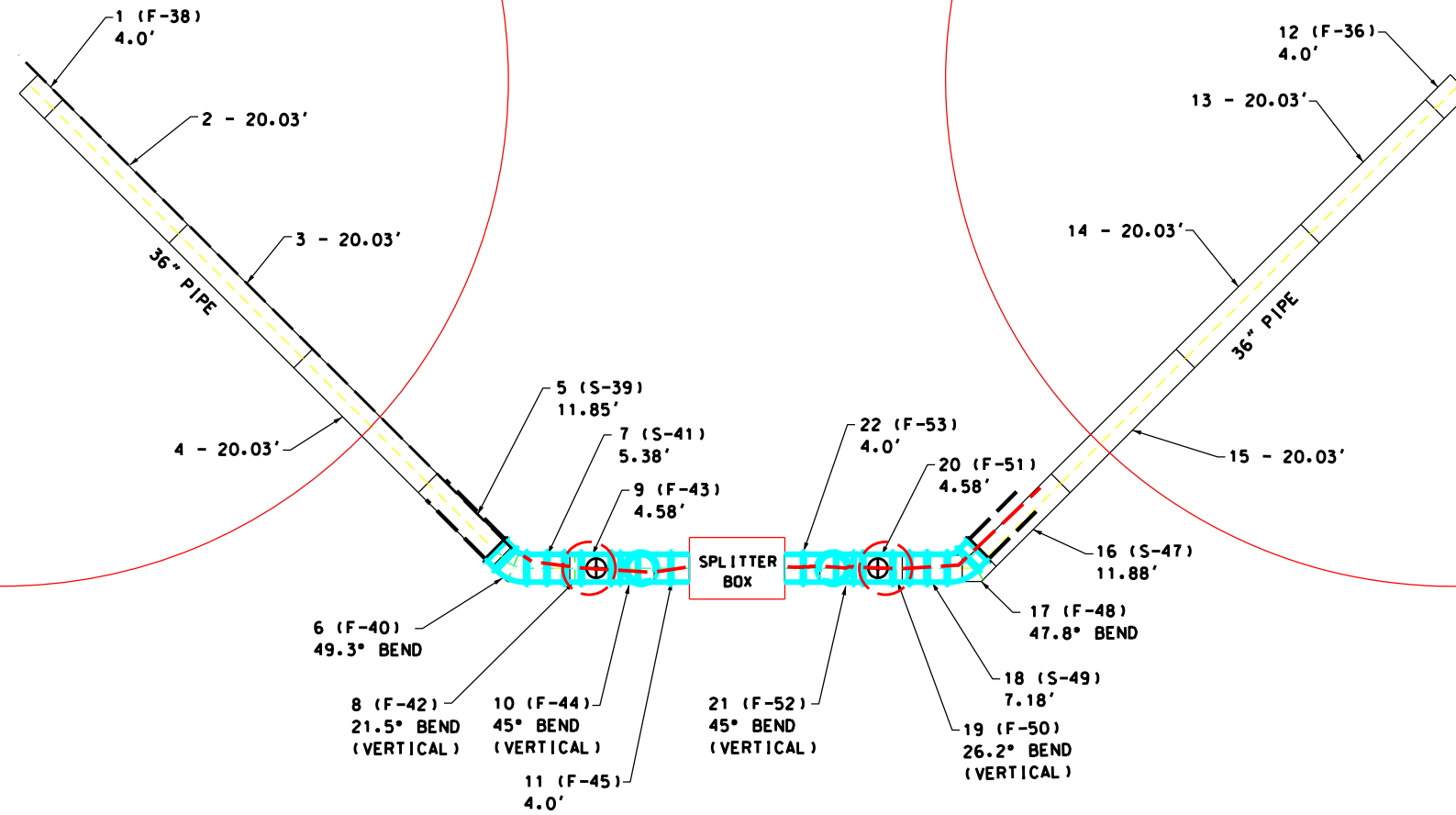


APPENDIX B:
SUGGESTED ALIGNMENT

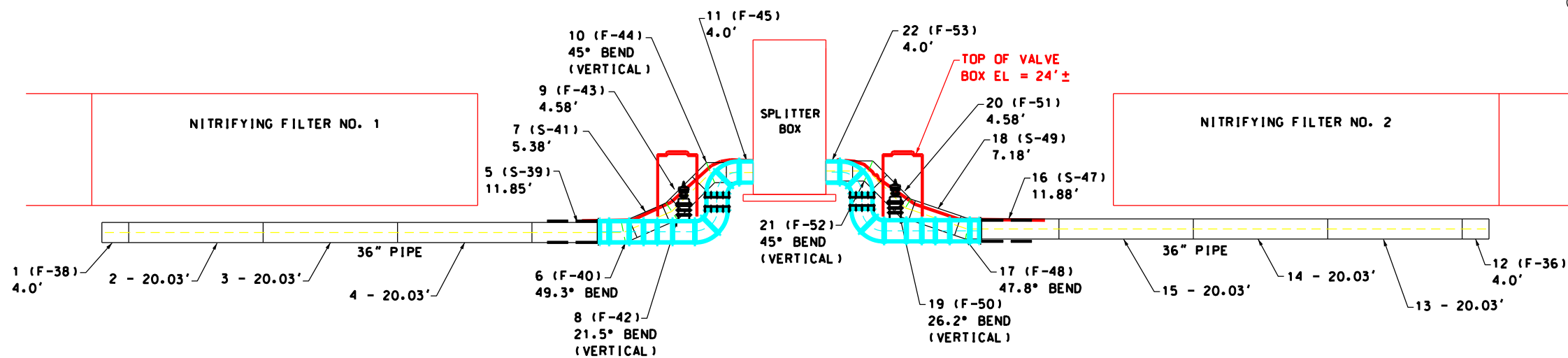
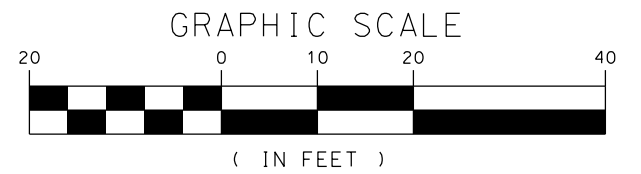
THREE MILE CREEK

NITRIFYING FILTER NO. 1

NITRIFYING FILTER NO. 2

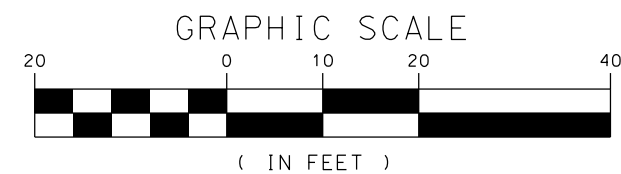
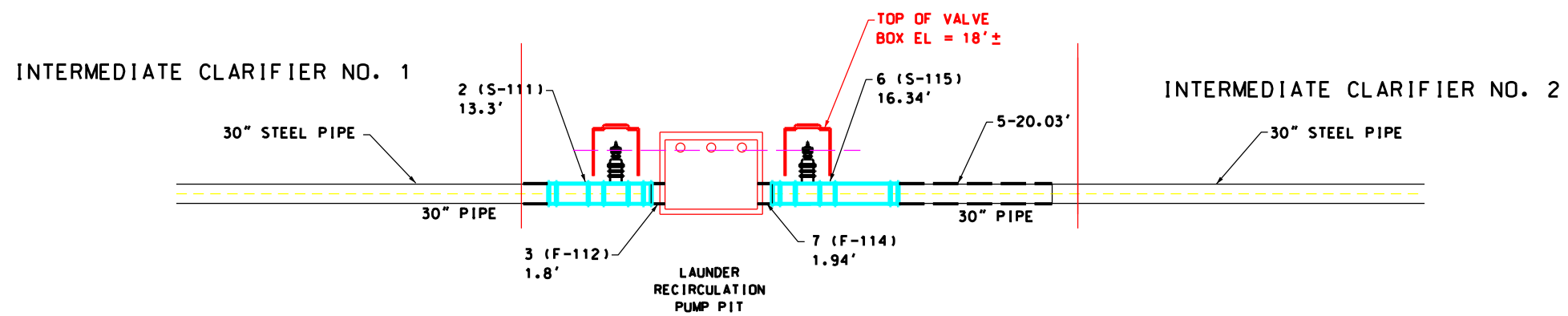
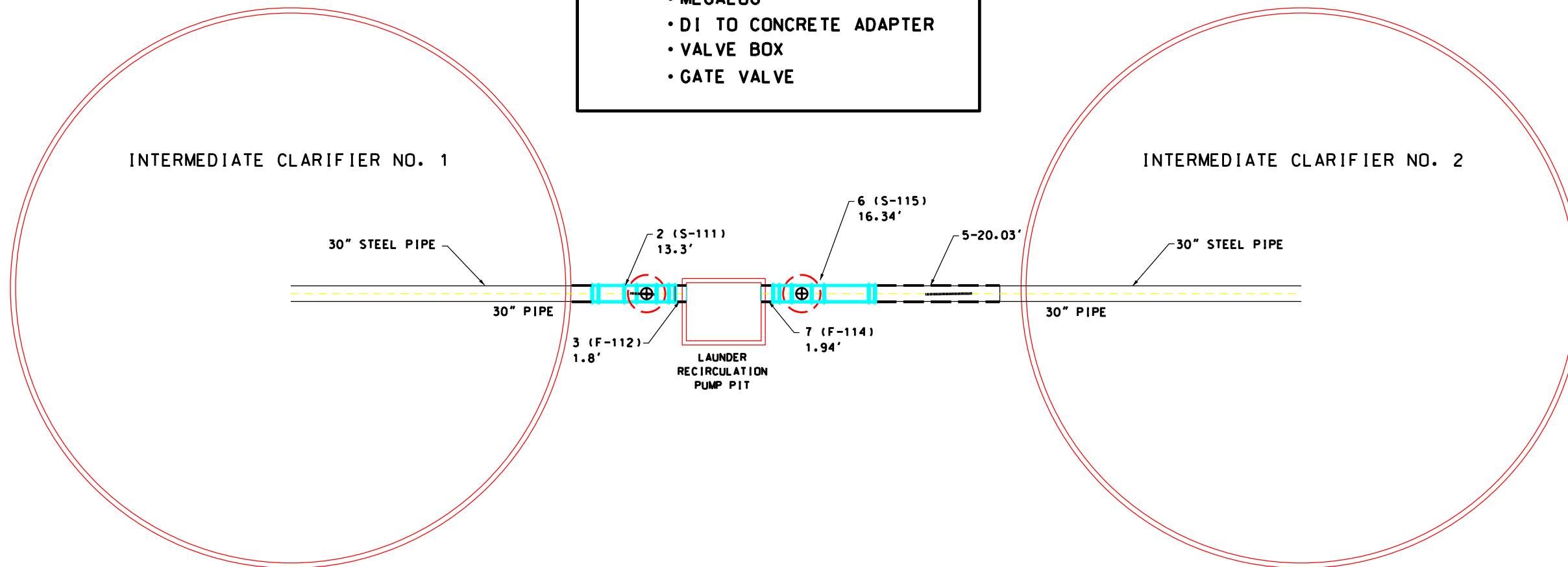


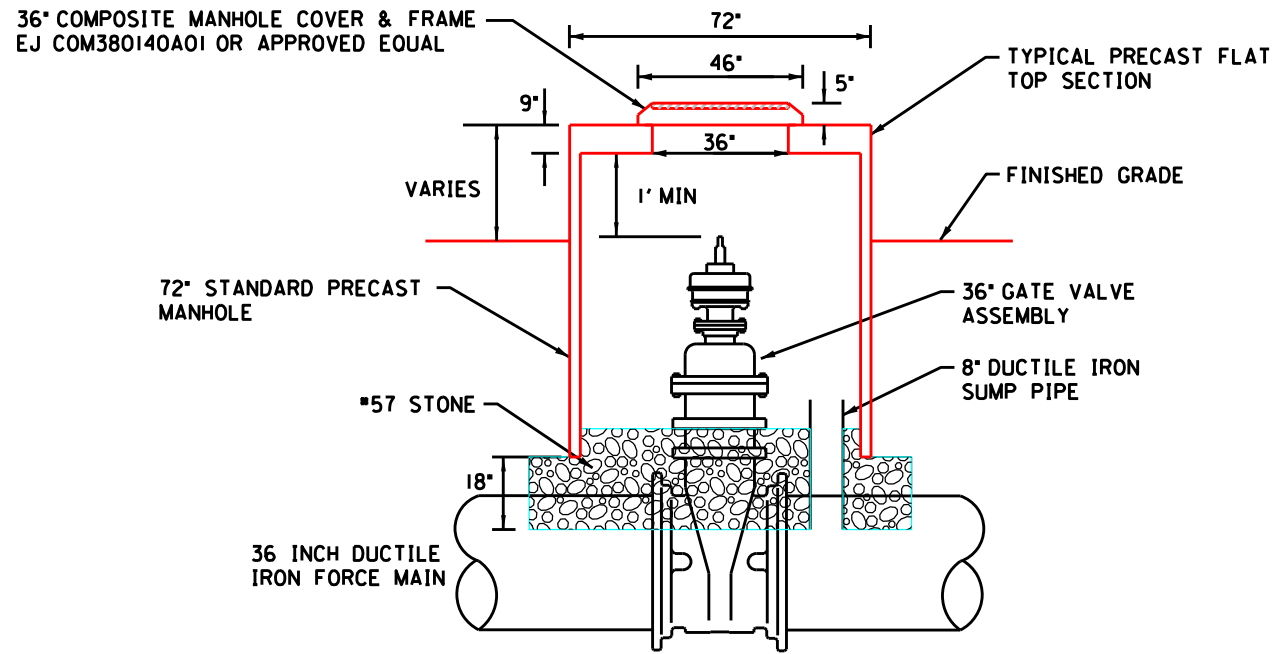
- TYPE OF MATERIAL**
- 45° DI BEND
 - DI SLEEVE
 - MEGAFLANGE
 - MEGALUG
 - DI TO CONCRETE ADAPTER
 - VALVE BOX



TYPE OF MATERIAL

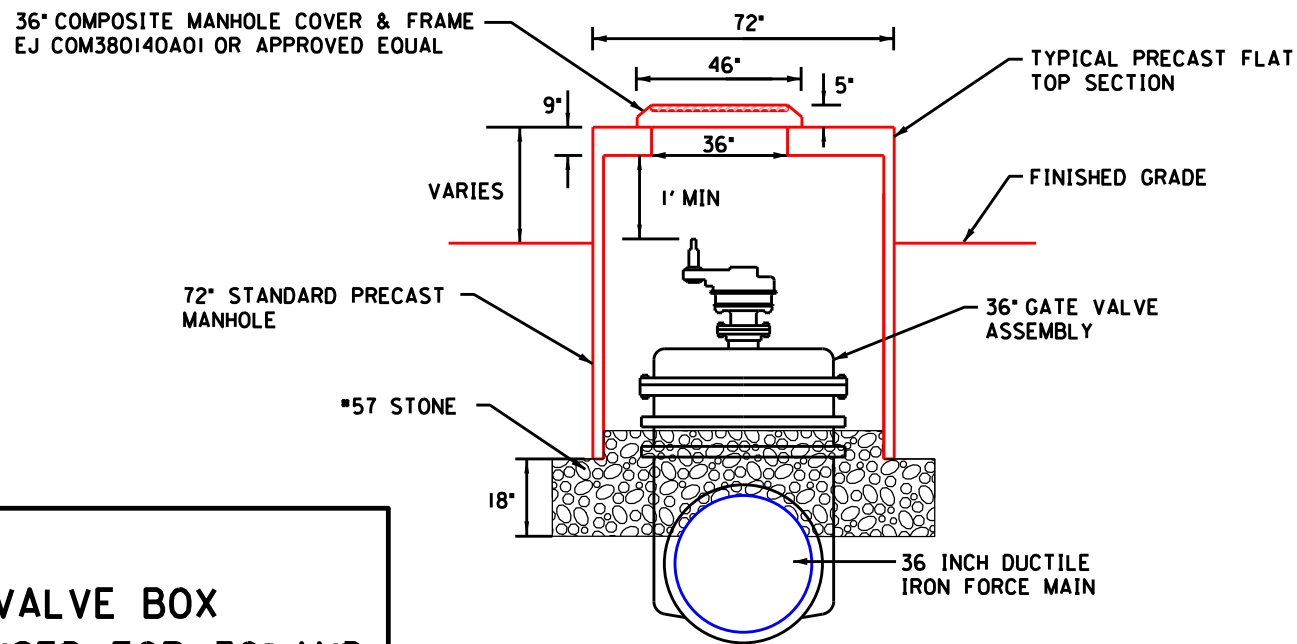
- DI SLEEVE
- MEGALUG
- DI TO CONCRETE ADAPTER
- VALVE BOX
- GATE VALVE





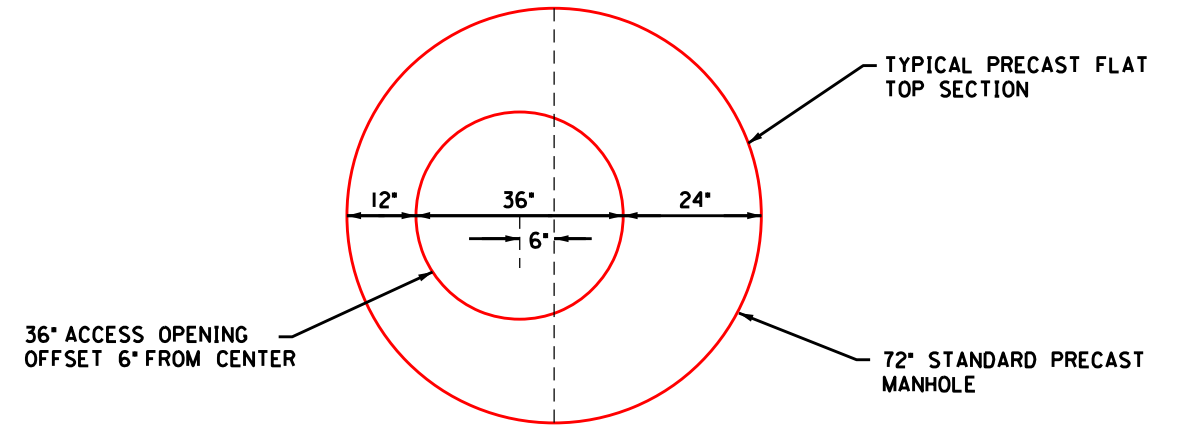
GATE VALVE ASSEMBLY

N.T.S.



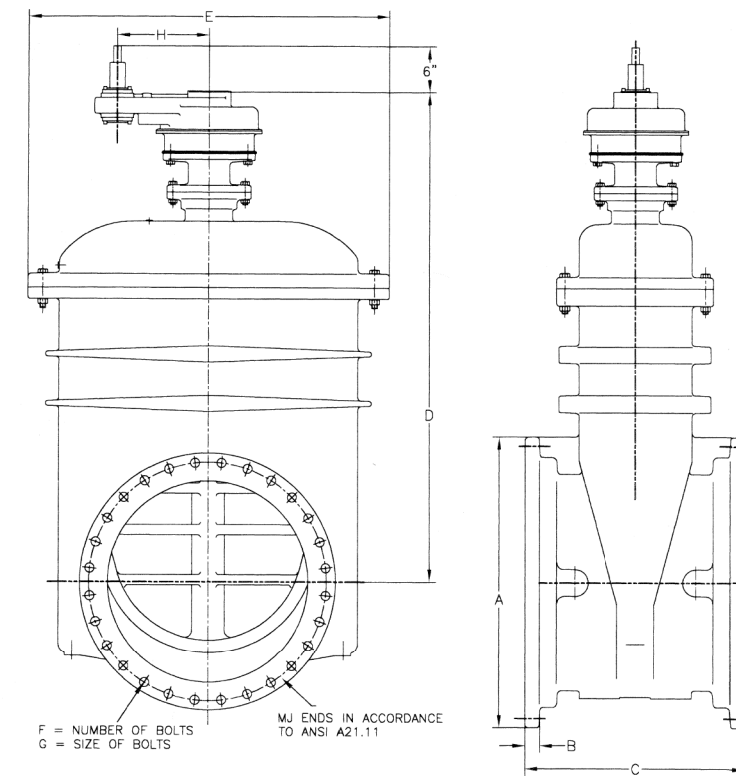
GATE VALVE ASSEMBLY

N.T.S.



72" PRECAST MANHOLE (PLAN VIEW)

N.T.S.



VALVE SIZE	A	B	C	D	E	F	G	H	WEIGHT
30	39 1/2	1 11/16	35 1/2	74	54 3/4	20	1	14	5,400
36	46 1/2	2	38 3/4	83 11/16	58 7/8	24	1	14	7,200
42	54	2	39	102 1/2	78	28	1 1/4	16	15,200
48	60 3/4	2	42	105 1/2	78	32	1 1/4	16	15,500

URNS TO OPEN: (30"=587) (36"=705) (42"=1,056) (48"=1,200)
HANDWHEEL OPTIONAL: (30"&36"=24" DIAMETER) (42"&48"=28" DIAMETER)

GATE VALVE ASSEMBLY

N.T.S.

NOTE:
THE SAME VALVE BOX SHALL BE USED FOR 30" AND 36" VALVES.