

**INVITATION FOR BID
March 25, 2024**

INVITATION FOR BID NUMBER	IFB 24-013
NAME OF BID	Annual Contract for Tapping Saddles, Clamps and Couplings
BIDS WILL BE RECEIVED AT	MAWSS Bid Box Donaghey Business Entrance 4725A Moffett Road or PO Box 180249 Mobile, AL 36618
BID OPENING DATE	April 8, 2024
BID CLOSING TIME	10:30 am Central Time
AWARD WILL BE MADE BY	Total Cost & Lead Time
CONTRACT PERIOD	5/1/24 through 4/30/25 with two 1-year extension options
MATERIAL DELIVERED TO	MAWSS Warehouse 1610 Shelton Beach Road Ext Mobile, AL 36618
ADDITIONAL INFORMATION CONTACT	Mike Grimes (251) 402-0042 or mgrimes@mawss.com
APPLICABLE SDP POLICY	None


Sealed bids must be in the Purchasing Department no later than the time specified in order to be considered. Submissions received after the deadline will not be considered. Envelopes must bear the name of the supplier, company address and the words “IFB 24-013 Tapping Saddles” or “IFB 24-013 NO QUOTE.” Facsimile or email bids will not be accepted.

All bids must be submitted on the attached forms or your bid will be disqualified. Bidder shall furnish all the information required by the solicitation. The bidder’s name must be typed or printed on the bid sheet, and signed by the bidder or appropriate authorized executive officer of the bidder’s company. Bidders must initial any changes or erasures. Bidders should retain a copy of bids for their records.

Bidders shall acknowledge receipt of all addenda to this solicitation by signing and returning each addendum or by identifying the addendum number and the date on the bid form. Failure to acknowledge receipt of any addendum by a bidder will result in rejection of the bid if MAWSS determines that the addendum contains information that materially changes the requirements.

All bids shall be quoted FOB Destination, freight prepaid with no additional charges. Unless otherwise specified in the bid, all prices will be on a firm-fixed price basis and are not subject to adjustments based on costs incurred. MAWSS reserves the right to reject any or all bids submitted, to waive any informality in any bid or in the bid process, or to terminate the bid process at any time, if deemed by MAWSS to be in MAWSS’s best interest.

A Purchase Order and this “Invitation for Bid” with “Specifications,” “Conditions,” “Bid Form,” signed by the successful bidder’s authorized representative, and all attached drawings and other documents furnished by MAWSS to the bidders with the Invitation for Bid in order to illustrate the contract requirements, will constitute a contract for the goods and/or services to be purchased.



Joyce Sawyer, Buyer II
Board of Water and Sewer Commissioners

IFB 24-013 TAPPING SADDLES, CLAMPS AND COUPLINGS CONDITIONS

The Board of Water and Sewer Commissioners of the City of Mobile will accept bids for **Tapping Saddles** in our Purchasing Department Bid Box located in the Business Entrance at 4725 Moffett Road, Mobile, AL 36618 **no later than 10:30 a.m.** local time on **April 8, 2024**. Bids will be opened immediately after bid closing time in the Operations Center Board room located at the Customer Service entrance. Award will be by **Total Cost & Lead Time**. The bidder offers and agrees, if this bid is accepted, to furnish the items as defined in the specifications for the unit price set opposite each item. Pricing shall be FOB Mobile, Alabama. All items shall be delivered to our **Warehouse** located at **1610 Shelton Beach Rd Ext.** or to the job site as needed. The bidder shall state the expected length of delivery time on the Bid Form.

Bidder understands and agrees that manufacturer and part numbers are provided for descriptive purposes only. Items of equal or better quality will be considered but must be approved by MAWSS in writing. Upon delivery, if the quality, durability or performance of any product represented as equal or better is determined by MAWSS to be unsatisfactory, MAWSS will require a suitable substitute or will require that the originally specified item be delivered, at the unit price originally offered by bidder. No substitution for items to be provided pursuant to this contract shall be permitted during the contract period without the express written consent of MAWSS. All items provided shall be for commercial use and for the purposes reflected in the contract documents.

No bid on closed out or discontinued item(s) will be accepted. Item(s) that have a determinable shelf life must be disclosed at the time of bid submittal.

Bidder understands that his/her bid shall be good and may not be withdrawn for a period of sixty (60) calendar days after the scheduled closing time for receiving bids.

Bidder understands and agrees that quantities will be purchased by MAWSS on an "as needed" basis to replenish inventory. MAWSS shall not be committed to the purchase of a pre-established minimum quantity for any one item.

A bidder may not modify its bid after bid opening. Errors in the extension of unit prices stated in a bid or in multiplication, division, addition or subtraction in a bid may be corrected by the MAWSS Purchasing Buyer prior to award. In such cases, unit prices shall not be changed.

It is the responsibility of the bidder to determine prior to the bid opening whether any amendment, additions, deletions or changes of any type have been made to this Invitation for Bid, Conditions, Specifications, Bid Form or any of the other bid documents. Bid documents and any amendments made to this bid will be posted on our website at www.mawss.com.

Invoicing Requirements: Invoices need to be emailed to Accounts Payable at AcctsPayable@mawss.com. Please include purchase order number on all invoices.

END OF CONDITIONS

**IFB 24-013 TAPPING SADDLES, CLAMPS AND COUPLINGS
SPECIFICATIONS AND BID FORM**

Specifications:

Body is to be constructed of ductile iron meeting ASTM A536. Straps, hex nuts, and washers to be stainless steel. Outlet threads shall be CC as per current AWWA C800 Standard. Gaskets shall be of Buena-N rubber meeting ASTM D2000 or equal. Romac 101S, 101U, 202S and 202U brand DS Tapping Saddles have been approved and have U-bolts that are stainless steel with a wide band attached to the U-bolt, to cradle pipe.

Materials bid as equals to the manufacturers listed must be approved by Daryl Russell, Water and Sewer Engineering Manager. Include manufacturer's drawings and descriptions for all equals bids. If part numbers are incorrect, please notify Mike Grimes (251-402-0042) or Joyce Sawyer immediately (251-694-3110). If part numbers are missing, please list part number for items you are bidding. Note that the Lawson numbers are MAWSS inventory numbers.

Category 1 – Double Strap Tapping Saddles

Romac 101s & 101U

- 1) 2" x ¾" DS Tapping Saddles, SB #317-00025606-000,
JCM #402-0238-07 (Lawson 11500030) \$ _____ ea.
- 2) 2" x 1" DS Tapping Saddles, SB #317-00025609-000;
JCM #402-0238-09 (Lawson #11500040) \$ _____ ea.
- 3) 3" x 1" DS Tapping Saddles, SB #317-00041309-000,
JCM #402-0396-09 (Lawson #11500070) \$ _____ ea.
- 4) 3" x 2" DS Tapping Saddles, SB #317-00041315-000,
JCM #402-0396-15 (Lawson #11500080) \$ _____ ea.
- 5) 4" x 1" DS Tapping Saddles, SB #317-00051409-000,
JCM #402-0480-09 (Lawson #11500090) \$ _____ ea.
- 6) 4" x 2" DS Tapping Saddles, SB #317-00051415-000,
JCM #402-0480-15 (Lawson #11500100) \$ _____ ea.
- 7) 6" x 1" DS Tapping Saddles, SB #317-00076009-000,
JCM #402-0690-09 (Lawson #11500120) \$ _____ ea.
- 8) 6" x 2" DS Tapping Saddles, SB #317-00076015-000,
JCM #402-0690-15 (Lawson #11500130) \$ _____ ea.
- 9) 8" x 1" DS Tapping Saddles, SB #317-00101009-000,
JCM #402-0905-09 (Lawson #11500150) \$ _____ ea.
- 10) 8" x 2" DS Tapping Saddles, SB #317-00101015-000,
JCM #402-0905-15 (Lawson #11500160) \$ _____ ea.
- 11) 10" x 1" DS Tapping Saddles, SB #317-00121209-000,
JCM #402-1110-09 (Lawson #11500170) \$ _____ ea.

IFB 24-013 TAPPING SADDLES, CLAMPS AND COUPLINGS
Category 1 – Double Strap Tapping Saddles (Cont'd)

12) 10" x 2" DS Tapping Saddles, SB #317-00121215-000,
JCM #402-1110-15 (Lawson #11500180) \$ _____ ea.

13) 12" x 1" DS Tapping Saddles, SB #317-00143209-000,
JCM #402-1320-09 (Lawson #11500200) \$ _____ ea.

14) 12" x 2" DS Tapping Saddles, SB #317-00143215-000,
JCM #402-1320-15 (Lawson #11500210) \$ _____ ea.

15) 16" x 1" DS Tapping Saddles, SB #317-00188809-000,
JCM #402-1794-09 (Lawson #11500230) \$ _____ ea.

16) 16" x 2" DS Tapping Saddles, SB #317-00188815-000,
JCM #402-1794-15 (Lawson #11500240) \$ _____ ea.

Manufacturer _____ Delivery _____

Romac 202S & 202U

17) 2" x 1-1/2" DS Tapping Saddles for Class 200 PVC Pipe
(Lawson #11500930) \$ _____ ea.

18) 3" x 1-1/2" DS Tapping Saddles for Class 200 PVC Pipe
SB #315-00045013-000-1 ½ CC (Lawson #11500940) \$ _____ ea.

19) 4" x 1-1/2" DS Tapping Saddles for C-900 DR 18 PVC Pipe
SB #315-00048013-000-1½ CC (Lawson #11500950) \$ _____ ea.

20) 6" x 1-1/2" DS Tapping Saddles for C-900 DR 18 PVC Pipe
SB #315-00076013-000-1½ CC (Lawson #11500960) \$ _____ ea.

21) 8" x 1-1/2" DS Tapping Saddles for C-900 DR 18 PVC Pipe
SB #315-00101013-000-1½ CC (Lawson #11500970) \$ _____ ea.

22) 10" x 1-1/2" DS Tapping Saddles for C-900 DR 18 PVC Pipe
SB #315-00121213-000-1½ CC (Lawson #11500980) \$ _____ ea.

23) 12" x 1-1/2" DS Tapping Saddles for C-900 DR 18 PVC Pipe,
SB #315-00132013-000-1½ CC (Lawson #11500990) \$ _____ ea.

Manufacturer _____ Delivery _____

Total Category 1 \$ _____

IFB 24-013 TAPPING SADDLES, CLAMPS AND COUPLINGS

Category 2 – Full Circle Repair Clamps

- 24) 2" x 7" FCR Clamps, SB #226-023807-000, F #F1-263-7.5
(Lawson #11600110) \$ _____ ea.

- 25) 2" x 15" FCR Clamps, SB #226-023815-000, F #F1-263-15
(Lawson #11600120) \$ _____ ea.

- 26) 2-1/4" - 2½" x 7" FCR Clamps, SB #226-027507-000, F #F1-300-7.5
(Lawson #11600130) \$ _____ ea.

- 27) 3" x 7" FCR Clamps, SB #226-035007-000, F #F1-370-7.5
(Lawson #11600150) \$ _____ ea.

- 28) 3"-4" x 7" FCR Clamps, SB #226-040007-000, F #F1-425-7.5
(Lawson #11600160) \$ _____ ea.

- 29) 3"-4" x 15" FCR Clamps, SB #226-040015-000, F #F1-425-15
(Lawson #11600170) \$ _____ ea.

- 30) 4" x 7" FCR Clamps, SB #226-048007-000, F #F1-514-7.5
(Lawson #11600180) \$ _____ ea.

- 31) 4" x 15" FCR Clamps, SB #226-048015-000, F #F1-514-15
(Lawson #11600190) \$ _____ ea.

- 32) 6" x 7" FCR Clamps, SB #226-069007-000, F #F1-724-7.5
(Lawson #11600200) \$ _____ ea.

- 33) 6" x 15" FCR Clamps, SB #226-069015-000, F #F1-724-15
(Lawson #11600210) \$ _____ ea.

- 34) 8" x 7" FCR Clamps, SB #226-090507-000, F #F1-939-7.5
(Lawson #11600220) \$ _____ ea.

- 35) 8" x 15" FCR Clamps, SB #226-090515-000, F #F1-939-15
(Lawson #11600230) \$ _____ ea.

- 36) 10" x 7" FCR Clamps, SB #226-111007-000, F #F1-1144-7.5
(Lawson #11600240) \$ _____ ea.

- 37) 10" x 15" FCR Clamps, SB #226-111015-000, F #F1-1144-15
(Lawson #11600250) \$ _____ ea.

- 38) 12" x 7" FCR Clamps, SB #226-132007-000, F #F1-1350-7.5
(Lawson #1600260) \$ _____ ea.

- 39) 12" x 12" FCR Clamps, SB #226-132012-000, F #F1-1350-12.5
(Lawson #11600270) \$ _____ ea.

IFB 24-013 TAPPING SADDLES, CLAMPS AND COUPLINGS
Category 2 – Full Circle Repair Clamps (Cont'd)

- 40) 12" x 15" FCR Clamps, SB #226-132015-000, F #F1-1350-15
(Lawson #11600280) \$ _____ ea.
- 41) 14" x 18" FCR Clamps, SB #228-20150720-000, or Ford
(Lawson #11600290) \$ _____ ea.
- 42) 16" x 10" FCR Clamps, SB #228-20171510-000, F #F2-1790-12.5
(Lawson #11600300) \$ _____ ea.
- 43) 16" x 18" FCR Clamps, SB #228-20171520-000, F #F2-1790-20
(Lawson #11600310) \$ _____ ea.
- 44) 16" x 24" FCR Clamps, SB #228-20171530-000, F #F2-1790-30
(Lawson #11600320) \$ _____ ea.
- 45) 20" x 20" FCR Clamps, SB #228-20215220-000, or Ford
(Lawson #11600330) \$ _____ ea.
- 46) 24" x 18" FCR Clamps, SB #28-30257020-000, or Ford
(Lawson #11600340) \$ _____ ea.
- 47) 30" x 18" FCR Clamps, Smith Blair, or Ford
(Lawson #11600350) \$ _____ ea.

Manufacturer _____ Delivery _____

Universal Clamp Couplings

- 48) 4" x 7" Universal, Smith Blair (Lawson #11600185) \$ _____ ea.
- 49) 6" x 7" Universal, Smith Blair (Lawson #11600202) \$ _____ ea.
- 50) 8" x 7" Universal, Smith Blair (Lawson #11600225) \$ _____ ea.
- 51) 4" x 12" Universal Clamp Coupling, SB #226-00045012-000-12½
(Lawson #11600187) \$ _____ ea.
- 52) 6" x 12" Universal Clamp Coupling, SB #226-00066312-000-12½
(Lawson #11600203) \$ _____ ea.
- 53) 8" x 12" Universal Clamp Coupling, SB #227-00086312-000-12½
(Lawson #11600227) \$ _____ ea.

IFB 24-013 TAPPING SADDLES, CLAMPS AND COUPLINGS
Category 2 – Full Circle Repair Clamps (Cont'd)

- 54) 1/2" Pipe Saver Clamps, SB #245-0008403-001, F #5C-8x3
(Lawson #11600360) \$ _____ ea.
- 55) 3/4" Pipe Saver Clamps, SB #245-00010503-001, F #5C-12x3
(Lawson #11600370) \$ _____ ea.
- 56) 1" Pipe Saver Clamps, SB #245-00013203-001, F #5C-13x3
(Lawson #11600380) \$ _____ ea.
- 57) 1-1/4" Pipe Saver Clamps, SB #245-00016603-001, F #5C-17x3
(Lawson #11600390) \$ _____ ea.
- 58) 1-1/2" Pipe Saver Clamps, SB #245-000190003-001, F #5C-19x3
(Lawson #11600400) \$ _____ ea.
- 59) 2" Pipe Saver Clamps, SB #245-000238003-001, F #5C-24x3
(Lawson #11600410) \$ _____ ea.

Manufacturer _____ Delivery _____

Total Category 2 \$ _____

IFB 24-013 TAPPING SADDLES, CLAMPS AND COUPLINGS
Category 3 – Cast Iron Dresser Style Couplings

- 60) 2" CIDS Couplings, SB #441-00000263-900, F #FC1-263-2.63,
JCM #210-0250, or Dresser (Lawson #11600420) \$ _____ ea.
- 61) 3" CIDS Couplings, SB #441-00000396-900, F #FC2A-388-3.88,
JCM #210-0396, or Dresser (Lawson #11600430) \$ _____ ea.
- 62) 4" CIDS Couplings, SB #441-00000510-900, F #FC1-480x4.80,
JCM #210-0480, or Dresser (Lawson #11600440) \$ _____ ea.
- 63) 6" CIDS Couplings, SB #441-00000722-900, F #FC1-690x6.90,
JCM #210-0690, or Dresser (Lawson #11600450) \$ _____ ea.
- 64) 8" CIDS Couplings, SB #441-00000930-900, F #FC1-905x9.05,
JCM #210-0905, or Dresser (Lawson #11600460) \$ _____ ea.
- 65) 10" CIDS Couplings, SB #441-00001160-900, F #FC1-1110x11.10,
JCM #210-1110, or Dresser (Lawson #11600470) \$ _____ ea.
- 66) 12" CIDS Couplings, SB #441-00001350-900, F #FC1-13.20x13.20,
JCM #210-1320, or Dresser (Lawson #11600480) \$ _____ ea.
- 67) 16" CIDS Couplings, SB #441-00001780-900, F #FC2A-17.80x17.80,
JCM #210-1740, or Dresser (Lawson #11600490) \$ _____ ea.
- 68) 20" CIDS Couplings, Smith Blair, Ford, JCM, or Dresser
(Lawson #11600500) \$ _____ ea.
- 69) 24" CIDS Couplings, Smith Blair, Ford, JCM, or Dresser
(Lawson #11600510) \$ _____ ea.
- 70) 30" CIDS Couplings, Smith Blair, Ford, JCM, or Dresser
(Lawson #11600520) \$ _____ ea.
- 71) 36" CIDS Couplings, Smith Blair, Ford, JCM, or Dresser
(Lawson #11600530) \$ _____ ea.
- 72) 4" CIDS Couplings, Long, SB #437-000510-900, F #FRR-514,
JCM, or Dresser (Lawson #11600540) \$ _____ ea.
- 73) 6" CIDS Couplings, Long, SB #437-000722-900, F #FRR-720,
JCM, or Dresser (Lawson #11600550) \$ _____ ea.
- 74) 8" CIDS Couplings, Long, SB #437-000930-900, F #FRR-940,
JCM, or Dresser (Lawson #11600560) \$ _____ ea.

IFB 24-013 TAPPING SADDLES, CLAMPS AND COUPLINGS
Category 3 – Cast Iron Dresser Style Couplings (Cont'd)

- 75) 10" CIDS Couplings, Long, SB #437-001160-900, F #FRR-1140,
JCM, or Dresser (Lawson #11600570) \$ _____ ea.
- 76) 12" CIDS Couplings, Long, SB #437-001350-900, F #FRR-1350.
JCM, or Dresser (Lawson #11600580) \$ _____ ea.
- 77) 16" CIDS Couplings, Oversized (Lawson #11600590) \$ _____ ea.
- 78) 20" CIDS Couplings, Oversized (Lawson #11600600) \$ _____ ea.
- 79) 24" CIDS Couplings, Oversized (Lawson #11600610) \$ _____ ea.
- 80) 4" Restrained Couplings, JCM #219-0480 or approved equal
(Lawson #11600650) \$ _____ ea.
- 81) 6" Restrained Couplings, JCM #219-0690 or approved equal
(Lawson #11600660) \$ _____ ea.
- 82) 8" Restrained Couplings, JCM #219-0905 or approved equal
(Lawson #11600670) \$ _____ ea.
- 83) 2" Flanged Coupling Adapters, SB #926-00000250-000, or
approved equal (Lawson #11600740) \$ _____ ea.
- 84) 3" Flanged Coupling Adapters, SB #912-00038003-000,
JCM #301-0396x3R or approved equal (Lawson #11600750) \$ _____ ea.
- 85) 4" Flanged Coupling Adapters, SB #912-00048004-000,
F #FCA-480-D4R, JCM #301-0480x4R (Lawson #11600760) \$ _____ ea.
- 86) 6" Flanged Coupling Adapters, SB #912-00096006-000,
F #FCA-690-D6R, JCM #301-0690x6R (Lawson #11600770) \$ _____ ea.
- 87) 8" Flanged Coupling Adapters, SB #912-00090508-000,
F #FCA-905-D8R, JCM #301-0905x8R (Lawson #11600780) \$ _____ ea.
- 88) 10" Flanged Coupling Adapters, SB #912-11101000-000,
F #FCA-1146-D10R, JCM #301-1110x10R (Lawson #11600790) \$ _____ ea.

Manufacturer _____ Delivery _____

Total Category 3 \$ _____

**IFB 24-013 TAPPING SADDLES, CLAMPS AND COUPLINGS
BID TABULATION**

Category 1 Total \$ _____

Category 2 Total \$ _____

Category 3 Total \$ _____

Grand Total \$ _____

Please Note: There are no guaranteed quantities of Tapping Saddles, Clamps or Couplings for this contract. Purchases will be made on an as “needed basis”. Purchase Order numbers are required for all purchases. All deliveries are to be made FOB Destination. No additional charges above the bid pricing will be allowed. This includes, but is not limited to, fuel surcharges.

Company Name _____ **Payment Terms** _____

Address _____

City, State, Zip _____

Submitted By _____ **Title** _____
Please Print

Phone _____ **Email Address** _____
Please Print

The signer declares under penalty of perjury that she/he is authorized to sign this document and bind the company or organization to the all of the terms and conditions of this agreement.

Signature _____ **Date** _____

101U & 202U SERVICE SADDLE

SUBMITTAL INFORMATION



101U

202U

MATERIALS

CASTING

The saddle body is cast from ductile (nodular) iron, meeting or exceeding ASTM A 536, Grade 65-45-12.

GASKET

Gasket is made from Nitrile Butadiene Rubber (NBR) compounded for water and sewer service and a tolerance of petroleum products in accordance with ASTM D 2000 MBC 610 and NSF 61 Certified. Other compounds available for special applications.

U BOLT, NUTS & WASHERS

Sizes 1-1/2" through 3", use 1/2" U bolt with heavy hex nuts and 1/2" flat washers, 4" and above use 5/8" U bolt with heavy hex nut and 5/8" flat washers. All sizes are national coarse roll threaded. Steel meets AISI C1018 and is electro-galvanized. 316 stainless steel is available upon request.

COATING

Shop coat applied to cast parts for corrosion protection in transit.

PRESSURE

Ductile iron, cast iron and steel pipe: rating of pipe up to 350 psi maximum. For other applications please consult your representative.

STANDARD

Contact Romac Engineering for ANSI/AWWA C800 Spec and Approval Chart.

SIZES & RANGES

See Catalog.

11/29/2018

Document # 25-8-0001

This information is based on the best data available at the date printed above. Please check with Romac for any updates or changes.

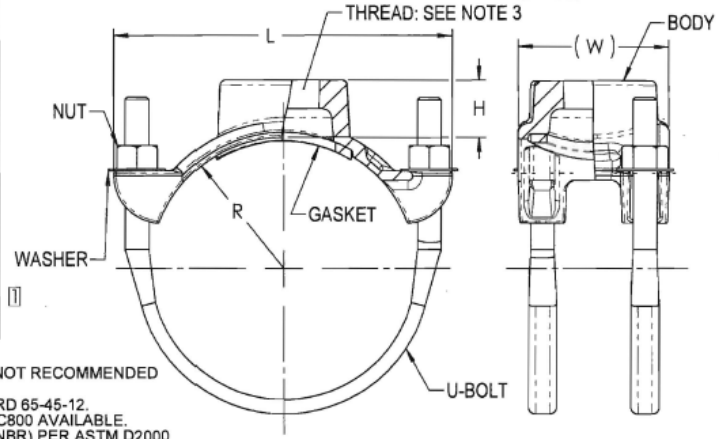


www.romac.com
21919 20th Avenue SE • Suite 100 • Bothell, WA 98021
Phone (425) 951-6200 • 1-800-426-9341 • Fax (425) 951-6201

FOR CUSTOMER USE

NOM. SIZE	DIMENSIONS				
	PIPE OD RANGE	L	R	H	W
2"	2.38 - 2.50	4.88	1.25	1.35	3.31
3"	3.50	5.94	1.75	1.35	3.31
	3.45 - 4.05	6.38	2.21	1.35	3.31
4"	4.00 - 4.50	6.94	2.25	1.50	4.00
	4.50 - 4.80	7.00	2.40	1.50	4.00
6"	4.50 - 5.40	7.63	2.70	1.50	4.00
	6.00 - 6.63	8.75	3.32	1.50	4.00
8"	6.63 - 6.90	8.81	3.45	1.50	4.00
	6.63 - 7.60	9.50	3.80	1.50	4.00
10"	8.00 - 8.63	11.19	4.32	1.50	4.00
	8.63 - 9.05	11.13	4.53	1.50	4.00
12"	8.63 - 9.80	11.81	4.90	1.50	4.00
	10.00 - 11.10	13.06	5.55	1.50	4.00
12"	11.10 - 12.12	14.19	6.06	1.50	4.00
	12.00 - 13.20	15.19	6.60	1.50	4.00
12"	13.20 - 14.38	16.31	7.19	1.50	4.00

REVISIONS				
REV.	ZONE	DESCRIPTION	DATE	EDITOR
1	B2	REMOVED 12.00-12.75 SADDLE. OBSOLETE CASTING. "L" DIM FOR 13.20 WAS 16.19".	7/7/2017	DJR
		REMOVED 10.00-10.75 SADDLE. OBSOLETE CASTING		



- NOTE:
- SERVICE SADDLES WITH U-BOLTS ARE NOT RECOMMENDED FOR USE ON PVC PIPE.
 - BODY: DUCTILE IRON PER ASTM A536 GRD 65-45-12.
 - THREAD: "IP" (NPT) OR "CC" PER AWWA C800 AVAILABLE.
 - GASKET: NITRILE BUTADIENE RUBBER (NBR) PER ASTM D2000 MBC 610.
 - COATING:
 - 202U - SHOPCOAT ENAMEL
 - 202NU - NYLON
 - U-BOLT:
 - ELECTRO-GALVANIZED STEEL MEETING AISI C1018 WITH FLAT WASHERS AND HEAVY HEX NUTS.
 - 316 STAINLESS STEEL AVAILABLE UPON REQUEST.
 - 1-1/2" THROUGH 3" SIZES, 1/2"-NC ROLL THREAD.
 - 4" AND LARGER SIZES, 5/8"-UNC ROLL THREAD.

RELEASED

PROPRIETARY NOTICE THIS DRAWING CONTAINS CONFIDENTIAL PROPRIETARY INFORMATION AND IS THE PROPERTY OF ROMAC IND., INC. IT IS TO BE USED ONLY FOR THE PURPOSE FOR WHICH IT WAS SUBMITTED AND SHALL NOT HAVE ITS INFORMATION DISCLOSED OR REPRODUCED IN WHOLE OR IN PART FOR ANY PURPOSE WITHOUT PRIOR WRITTEN PERMISSION OF ROMAC IND., INC.		UNLESS OTHERWISE SPECIFIED DIMENSIONS ARE IN INCHES TOLERANCES ARE ON: 1 PL DECIMALS ± 0.050 2 PL DECIMALS ± 0.030 3 PL DECIMALS ± 0.010 ANGLES ± 1° FRACTIONS ± 1/64 DIMENSIONS IN () ARE FOR REFERENCE ONLY		SIGNATURES DRAWN Derek Richardson APPROVED Sam Hill		DATE 07/07/2017 7/10/2017		ROMAC INDUSTRIES INC. TITLE 202U AND 202NU SERVICE SADDLES, 2" - 12"			
MODEL NAME: 202U AND 202NU SERVICE SADDLES, 2 IN - 12 IN MODEL CAD #: CAD-02966 VERSION:		CONFIGURATION NAME: Default		THIRD ANGLE PROJECTION		DWG. NO. B2621-A		SIZE A	REV. NO. R0	SCALE 1:3	SHEET 1 OF 1
FDM DRAWING # CAD-015465 DRAWING FILE NAME: 202U AND 202NU SERVICE SADDLES, 2 IN - 12 IN						AUTHOR: Derek Richardson					

DOUBLE STRAP SERVICE SADDLES



STYLE 2025
PAINTED SADDLE WITH
STAINLESS STEEL STRAPS



STYLE 202NS
NYLON COATED SADDLE
WITH STAINLESS STEEL STRAPS



NOM. PIPE SIZE	O.D. SIZE RANGE	½" I.P., ¾" & 1" I.P. OR C.C. TAP			1¼" - 1½" - 2" I.P. OR C.C. TAP (2½" I.P. ONLY)			APPROX. WEIGHT EA. (lbs.)
		2025	202NS	CTN QTY	2025	202NS	CTN QTY	
2"	2.38 - 2.50 ¹	\$100.37	\$123.22	10	\$108.85 ¹	\$135.09 ¹	10	3.5 #
	3.50 ²	100.56	124.30	8	115.53	135.35	8	5.0 #
3"	3.45 - 4.05 ^{2,3}	100.56	124.30	8	115.53	135.35	8	5.0 #
	4.00 - 4.50	101.22	124.30	5	115.53	135.35	5	7.5 #
4"	4.50 - 4.80	101.22	124.30	5	115.53	135.35	5	7.5 #
	4.50 - 5.40 ⁴	102.17	124.30	5	115.53	135.35	5	7.5 #
6"	6.00 - 6.63	113.94	142.80	6	128.38	155.11	6	9.0 #
	6.63 - 6.90	113.94	142.80	6	128.38	155.11	6	9.0 #
	6.63 - 7.60 ⁴	113.94	142.80	6	128.38	155.11	6	9.0 #
8"	8.00 - 8.63	138.22	166.09	4	159.09	177.03	4	10.0 #
	8.63 - 9.05	138.22	166.09	4	159.09	177.03	4	10.0 #
	8.63 - 9.80 ⁴	143.06	166.09	4	159.09	177.03	4	10.0 #
10"	10.00 - 11.10	167.92	200.55	4	192.05	216.16	4	11.5 #
	11.10 - 12.12 ⁴	167.92	200.55	4	192.05	216.16	4	11.5 #
12"	12.00 - 13.20	194.68	233.45	4	222.48	250.02	4	12.5 #
	13.20 - 14.38 ⁴	194.68	233.45	3	222.48	250.02	3	12.5 #
14"	15.30 - 16.80	232.97	272.06	4	235.69	289.80	4	15.3 #
16"	17.40 - 18.90	237.36	319.90	3	266.47	341.94	3	16.0 #
18"	19.50 - 21.10	364.98	445.76	3	386.87	468.01	3	18.0 #
20"	21.10 - 22.70	408.69	499.00	3	433.31	524.15	3	20.0 #
22"	22.70 - 24.30	429.16	524.24	3	454.89	550.37	3	21.0 #
24"	24.30 - 25.90	480.71	587.16	3	509.50	616.39	3	23.0 #
26"	25.70 - 27.30	485.51	591.97	3	514.31	621.22	3	24.0 #
28"	27.30 - 28.90	490.33	596.77	3	519.12	626.03	3	24.5 #
30"	28.90 - 30.50	495.14	601.59	3	523.92	630.83	3	25.0 #
	30.50 - 32.10	499.94	606.40	3	528.74	635.65	3	26.0 #

SERVICE SADDLES

Prices and weights shown are per saddle.

- ¹ 202 - 2.50 can accommodate up to 1 1/2" I.P. and C.C.
- ² 202 for 3" nominal size can accommodate up to 2" I.P. and 1 1/2" C.C.
- ³ Not recommended for iron pipe size PVC
- ⁴ Not recommended for PVC pipe.

Manufacturer Recommendations:

For PVC applications select the saddle with the top of range number that is closest to the diameter of the pipe.

FOR COPPER PIPE Romac recommends single strap saddles which should be preformed at the factory, or see 304/306 stainless steel saddles.

TO ORDER: Add tap size to the upper range of the saddle.

STYLE UPPER RANGE TAP SIZE TYPE

EXAMPLE: Painted Saddle with Stainless Strap: **2025 - 7.60 x 3/4" IP**
Nylon Saddle with Stainless Steel strap: **202NS - 7.60 x 3/4" IP**

CAD-023239

REVISIONS			
REV.	DESCRIPTION	DATE	EDITOR
0	INITIAL RELEASE	*15 SEP 28	DM EATON

HEAVY HEX NUTS
COATED TO PREVENT
GALLING

WASHER

STUD

L

1.35

GASKET, NBR
RUBBER

R

STRAP

3.3

2.0

4.7

NOTE:

1. BODY: DUCTILE IRON PER ASTM A536 GRD 65-45-12.
2. COATING: NYLON, 10-12 MILS THICK.
3. THREAD: "1P" (NPT) OR "CC" PER AWWA C800 AVAILABLE.
4. STRAP, STUD, AND NUT: TYPE 304 STAINLESS STEEL:
 - WELDING: GMAW AND GTAW, CHEMICALLY CLEANED AND PASSIVATED.
 - 1/2-NC ROLL THREAD, WITH HEAVY HEX NUTS AND 1/2" FLAT WASHER.

DIMENSIONS					
NOM SIZE	PIPE OD RANGE	L	R	H	W
2"	2.38 - 2.50	4.88	1.25	1.35	3.31
	3.50	5.94	1.75	1.35	3.31
3"	3.45 - 4.05	6.38	2.21	1.35	3.31

PROPRIETARY NOTICE
THIS DRAWING CONTAINS CONFIDENTIAL PROPRIETARY INFORMATION AND IS THE PROPERTY OF ROMAC IND., INC. IT IS TO BE USED ONLY FOR THE PURPOSE FOR WHICH IT WAS SUBMITTED AND SHALL NOT HAVE ITS INFORMATION DISCLOSED OR REPRODUCED IN WHOLE OR IN PART FOR ANY PURPOSE WITHOUT PRIOR WRITTEN PERMISSION OF ROMAC IND., INC.

UNLESS OTHERWISE SPECIFIED
DIMENSIONS ARE IN INCHES
TOLERANCES ARE ON:
1 PL DECIMALS ±
2 PL DECIMALS ±
3 PL DECIMALS ±
ANGLES 1°
FRACTIONS ±

SIGNATURES
DRAWN
Del Eaton
DATE
09/28/2015
APPROVED
Peter Nielsen
DATE
9/29/2015



ROMAC INDUSTRIES INC.
TITLE
202S AND 202NS SADDLES
2" - 3"

DWGS NO. CAD-023239
SIZE A
REV NO. RD
SCALE 1:3
SHEET 1 OF 1
AUTHOR: Del Eaton

MODEL NAME: 202S-ASSEMBLY
CONFIGURATION NAME: Default

MODEL CAD # CAD-023191

LEGACY DRAWING #
DRAWING FILE NAME: 202S-202N 2-3 CLUST DWG

END OF SPECIFICATIONS