

**INVITATION FOR BID  
March 11, 2025**

INVITATION FOR BID NUMBER	IFB 25-012
NAME OF BID	Annual Contract for Tapping Saddles, Clamps and Couplings
BIDS WILL BE RECEIVED AT	MAWSS Bid Box Donaghey Business Entrance 4725 Moffett Road Mobile, AL 36618  If sending bids by UPS/Fed Ex, deliver to the Warehouse: 1610 Shelton Beach Rd. Ext., Mobile, AL 36618
BID OPENING DATE	March 24, 2025
BID CLOSING TIME	10:30 am Central Time
AWARD WILL BE MADE BY	Total Cost & Lead Time
CONTRACT PERIOD	5/1/25 through 4/30/26 with two 1-year extension options
MATERIAL DELIVERED TO	MAWSS Warehouse 1610 Shelton Beach Road Ext Mobile, AL 36618
ADDITIONAL INFORMATION CONTACT	Mike Grimes (251) 402-0042 or <a href="mailto:mgrimes@mawss.com">mgrimes@mawss.com</a>
APPLICABLE SDP POLICY	None


Sealed bids must be in the Purchasing Department no later than the time specified in order to be considered. Submissions received after the deadline will not be considered. Envelopes must bear the name of the supplier, company address and the words "IFB 25-012 Tapping Saddles" or "IFB 25-012 NO QUOTE." Facsimile or email bids will not be accepted.

All bids must be submitted on the attached forms or your bid will be disqualified. Bidder shall furnish all the information required by the solicitation. The bidder's name must be typed or printed on the bid sheet, and signed by the bidder or appropriate authorized executive officer of the bidder's company. Bidders must initial any changes or erasures. Bidders should retain a copy of bids for their records.

Bidders shall acknowledge receipt of all addenda to this solicitation by signing and returning each addendum or by identifying the addendum number and the date on the bid form. Failure to acknowledge receipt of any addendum by a bidder will result in rejection of the bid if MAWSS determines that the addendum contains information that materially changes the requirements.

All bids shall be quoted FOB Destination, freight prepaid with no additional charges. Unless otherwise specified in the bid, all prices will be on a firm-fixed price basis and are not subject to adjustments based on costs incurred. MAWSS reserves the right to reject any or all bids submitted, to waive any informality in any bid or in the bid process, or to terminate the bid process at any time, if deemed by MAWSS to be in MAWSS's best interest.

A Purchase Order and this "Invitation for Bid" with "Specifications," "Conditions," "Bid Form," signed by the successful bidder's authorized representative, and all attached drawings and other documents furnished by MAWSS to the bidders with the Invitation for Bid in order to illustrate the contract requirements, will constitute a contract for the goods and/or services to be purchased.

  
Joyce Sawyer, Buyer II  
Board of Water and Sewer Commissioners

## **IFB 25-012 TAPPING SADDLES, CLAMPS AND COUPLINGS CONDITIONS**

The Board of Water and Sewer Commissioners of the City of Mobile will accept bids for **Tapping Saddles, Clamps & Couplings** in our Purchasing Department Bid Box located in the Business Entrance at 4725 Moffett Road, Mobile, AL 36618 **no later than 10:30 a.m.** local time on **March 24, 2025**. Bids will be opened immediately after bid closing time in the Operations Center Board room located at the Customer Service entrance. Award will be by **Total Cost & Lead Time**. The bidder offers and agrees, if this bid is accepted, to furnish the items as defined in the specifications for the unit price set opposite each item. Pricing shall be FOB Mobile, Alabama. All items shall be delivered to our **Warehouse** located at **1610 Shelton Beach Rd Ext.** or to the job site as needed. The bidder shall state the expected length of delivery time on the Bid Form.

Bidder understands and agrees that manufacturer and part numbers are provided for descriptive purposes only. Items of equal or better quality will be considered but must be approved by MAWSS in writing. Upon delivery, if the quality, durability or performance of any product represented as equal or better is determined by MAWSS to be unsatisfactory, MAWSS will require a suitable substitute or will require that the originally specified item be delivered, at the unit price originally offered by bidder. No substitution for items to be provided pursuant to this contract shall be permitted during the contract period without the express written consent of MAWSS. All items provided shall be for commercial use and for the purposes reflected in the contract documents.

No bid on closed out or discontinued item(s) will be accepted. Item(s) that have a determinable shelf life must be disclosed at the time of bid submittal.

Bidder understands that his/her bid shall be good and may not be withdrawn for a period of sixty (60) calendar days after the scheduled closing time for receiving bids.

Bidder understands and agrees that quantities will be purchased by MAWSS on an "as needed" basis to replenish inventory. MAWSS shall not be committed to the purchase of a pre-established minimum quantity for any one item.

A bidder may not modify its bid after bid opening. Errors in the extension of unit prices stated in a bid or in multiplication, division, addition or subtraction in a bid may be corrected by the MAWSS Purchasing Buyer prior to award. In such cases, unit prices shall not be changed.

It is the responsibility of the bidder to determine prior to the bid opening whether any amendment, additions, deletions or changes of any type have been made to this Invitation for Bid, Conditions, Specifications, Bid Form or any of the other bid documents. Bid documents and any amendments made to this bid will be posted on our website at [www.mawss.com](http://www.mawss.com).

Invoicing Requirements: Invoices need to be emailed to Accounts Payable at [AcctsPayable@mawss.com](mailto:AcctsPayable@mawss.com). Please include purchase order number on all invoices.

**END OF CONDITIONS**

**IFB 25-012 TAPPING SADDLES, CLAMPS AND COUPLINGS  
SPECIFICATIONS AND BID FORM**

**Specifications:**

Body is to be constructed of ductile iron meeting ASTM A536. Straps, hex nuts, and washers to be stainless steel. Outlet threads shall be CC as per current AWWA C800 Standard. Gaskets shall be of Buena-N rubber meeting ASTM D2000 or equal. Romac 101S, 101U, 202S and 202U brand DS Tapping Saddles have been approved and have U-bolts that are stainless steel with a wide band attached to the U-bolt, to cradle pipe.

Materials bid as equals to the manufacturers listed must be approved by Daryl Russell, Water and Sewer Engineering Manager. Include manufacturer's drawings and descriptions for all equals bids. If part numbers are incorrect, please notify Mike Grimes (251-402-0042) or Joyce Sawyer immediately (251-694-3110). If part numbers are missing, please list part number for items you are bidding. Note that the Lawson numbers are MAWSS inventory numbers.

**Category 1 – Double Strap Tapping Saddles**

**Romac 101s & 101U**

- 1) 2" x 1" DS Tapping Saddles, SB #317-00025609-000;  
JCM #402-0238-09 (Lawson #11500040) \$ \_\_\_\_\_ ea.
  
- 2) 3" x 1" DS Tapping Saddles, SB #317-00041309-000,  
JCM #402-0396-09 (Lawson #11500070) \$ \_\_\_\_\_ ea.
  
- 3) 3" x 2" DS Tapping Saddles, SB #317-00041315-000,  
JCM #402-0396-15 (Lawson #11500080) \$ \_\_\_\_\_ ea.
  
- 4) 4" x 1" DS Tapping Saddles, SB #317-00051409-000,  
JCM #402-0480-09 (Lawson #11500090) \$ \_\_\_\_\_ ea.
  
- 5) 4" x 2" DS Tapping Saddles, SB #317-00051415-000,  
JCM #402-0480-15 (Lawson #11500100) \$ \_\_\_\_\_ ea.
  
- 6) 6" x 1" DS Tapping Saddles, SB #317-00076009-000,  
JCM #402-0690-09 (Lawson #11500120) \$ \_\_\_\_\_ ea.
  
- 7) 6" x 2" DS Tapping Saddles, SB #317-00076015-000,  
JCM #402-0690-15 (Lawson #11500130) \$ \_\_\_\_\_ ea.
  
- 8) 8" x 1" DS Tapping Saddles, SB #317-00101009-000,  
JCM #402-0905-09 (Lawson #11500150) \$ \_\_\_\_\_ ea.
  
- 9) 8" x 2" DS Tapping Saddles, SB #317-00101015-000,  
JCM #402-0905-15 (Lawson #11500160) \$ \_\_\_\_\_ ea.
  
- 10) 10" x 1" DS Tapping Saddles, SB #317-00121209-000,  
JCM #402-1110-09 (Lawson #11500170) \$ \_\_\_\_\_ ea.

**IFB 25-012 TAPPING SADDLES, CLAMPS AND COUPLINGS**  
**Category 1 – Double Strap Tapping Saddles (Cont'd)**

- 11) 10" x 2" DS Tapping Saddles, SB #317-00121215-000,  
JCM #402-1110-15 (Lawson #11500180) \$ \_\_\_\_\_ ea.
- 12) 12" x 1" DS Tapping Saddles, SB #317-00143209-000,  
JCM #402-1320-09 (Lawson #11500200) \$ \_\_\_\_\_ ea.
- 13) 12" x 2" DS Tapping Saddles, SB #317-00143215-000,  
JCM #402-1320-15 (Lawson #11500210) \$ \_\_\_\_\_ ea.
- 14) 16" x 1" DS Tapping Saddles, SB #317-00188809-000,  
JCM #402-1794-09 (Lawson #11500230) \$ \_\_\_\_\_ ea.
- 15) 16" x 2" DS Tapping Saddles, SB #317-00188815-000,  
JCM #402-1794-15 (Lawson #11500240) \$ \_\_\_\_\_ ea.

Manufacturer \_\_\_\_\_ Delivery \_\_\_\_\_

**Romac 202S & 202U**

- 16) 2" x 1-1/2" DS Tapping Saddles for Class 200 PVC Pipe  
(Lawson #11500930) \$ \_\_\_\_\_ ea.
- 17) 3" x 1-1/2" DS Tapping Saddles for Class 200 PVC Pipe  
SB #317-00035413-000 1½ CC (Lawson #11500940) \$ \_\_\_\_\_ ea.
- 18) 4" x 1-1/2" DS Tapping Saddles for C-900 DR 18 PVC Pipe  
SB #315-00048013-000 1½ CC (Lawson #11500950) \$ \_\_\_\_\_ ea.
- 19) 6" x 1-1/2" DS Tapping Saddles for C-900 DR 18 PVC Pipe  
SB #315-00076013-000 1½ CC (Lawson #11500960) \$ \_\_\_\_\_ ea.
- 20) 8" x 1-1/2" DS Tapping Saddles for C-900 DR 18 PVC Pipe  
SB #315-00101013-000 1½ CC (Lawson #11500970) \$ \_\_\_\_\_ ea.
- 21) 10" x 1-1/2" DS Tapping Saddles for C-900 DR 18 PVC Pipe  
SB #315-00121213-000 1½ CC (Lawson #11500980) \$ \_\_\_\_\_ ea.
- 22) 12" x 1-1/2" DS Tapping Saddles for C-900 DR 18 PVC Pipe,  
SB #315-00132013-000 1½ CC (Lawson #11500990) \$ \_\_\_\_\_ ea.

Manufacturer \_\_\_\_\_ Delivery \_\_\_\_\_

**Total Category 1** \$ \_\_\_\_\_

**IFB 25-012 TAPPING SADDLES, CLAMPS AND COUPLINGS**

**Category 2 – Full Circle Repair Clamps**

- 23) 2" x 7" FCR Clamps, SB #226-023807-000, F #F1-263-7.5  
(Lawson #11600110) \$ \_\_\_\_\_ ea.
- 24) 2" x 15" FCR Clamps, SB #226-023815-000, F #F1-263-15  
(Lawson #11600120) \$ \_\_\_\_\_ ea.
- 25) 2-1/4"- 2½" x 7" FCR Clamps, SB #226-027507-000, F #F1-300-7.5  
(Lawson #11600130) \$ \_\_\_\_\_ ea.
- 26) 3" x 7" FCR Clamps, SB #226-035007-000, F #F1-370-7.5  
(Lawson #11600150) \$ \_\_\_\_\_ ea.
- 27) 3"-4" x 7" FCR Clamps, SB #226-040007-000, F #F1-425-7.5  
(Lawson #11600160) \$ \_\_\_\_\_ ea.
- 28) 3"-4" x 15" FCR Clamps, SB #226-040015-000, F #F1-425-15  
(Lawson #11600170) \$ \_\_\_\_\_ ea.
- 29) 4" x 7" FCR Clamps, SB #226-048007-000, F #F1-514-7.5  
(Lawson #11600180) \$ \_\_\_\_\_ ea.
- 30) 4" x 15" FCR Clamps, SB #226-048015-000, F #F1-514-15  
(Lawson #11600190) \$ \_\_\_\_\_ ea.
- 31) 6" x 7" FCR Clamps, SB #226-069007-000, F #F1-724-7.5  
(Lawson #11600200) \$ \_\_\_\_\_ ea.
- 32) 6" x 15" FCR Clamps, SB #226-069015-000, F #F1-724-15  
(Lawson #11600210) \$ \_\_\_\_\_ ea.
- 33) 8" x 7" FCR Clamps, SB #226-090507-000, F #F1-939-7.5  
(Lawson #11600220) \$ \_\_\_\_\_ ea.
- 34) 8" x 15" FCR Clamps, SB #226-090515-000, F #F1-939-15  
(Lawson #11600230) \$ \_\_\_\_\_ ea.
- 35) 10" x 7" FCR Clamps, SB #226-111007-000, F #F1-1144-7.5  
(Lawson #11600240) \$ \_\_\_\_\_ ea.
- 36) 10" x 15" FCR Clamps, SB #226-111015-000, F #F1-1144-15  
(Lawson #11600250) \$ \_\_\_\_\_ ea.
- 37) 12" x 7" FCR Clamps, SB #226-132007-000, F #F1-1350-7.5  
(Lawson #1600260) \$ \_\_\_\_\_ ea.
- 38) 12" x 12" FCR Clamps, SB #226-132012-000, F #F1-1350-12.5  
(Lawson #11600270) \$ \_\_\_\_\_ ea.

**IFB 25-012 TAPPING SADDLES, CLAMPS AND COUPLINGS**  
**Category 2 – Full Circle Repair Clamps (Cont'd)**

- 39) 12" x 15" FCR Clamps, SB #226-132015-000, F #F1-1350-15  
(Lawson #11600280) \$ \_\_\_\_\_ ea.
- 40) 14" x 18" FCR Clamps, SB #228-20150720-000, or Ford  
(Lawson #11600290) \$ \_\_\_\_\_ ea.
- 41) 16" x 10" FCR Clamps, SB #228-20171510-000, F #F2-1790-12.5  
(Lawson #11600300) \$ \_\_\_\_\_ ea.
- 42) 16" x 18" FCR Clamps, SB #228-20171520-000, F #F2-1790-20  
(Lawson #11600310) \$ \_\_\_\_\_ ea.
- 43) 16" x 24" FCR Clamps, SB #228-20171530-000, F #F2-1790-30  
(Lawson #11600320) \$ \_\_\_\_\_ ea.
- 44) 20" x 20" FCR Clamps, SB #228-20215220-000, or Ford  
(Lawson #11600330) \$ \_\_\_\_\_ ea.
- 45) 24" x 18" FCR Clamps, SB #28-30257020-000, or Ford  
(Lawson #11600340) \$ \_\_\_\_\_ ea.
- 46) 30" x 18" FCR Clamps, Smith Blair, or Ford  
(Lawson #11600350) \$ \_\_\_\_\_ ea.

Manufacturer \_\_\_\_\_ Delivery \_\_\_\_\_

**Universal Clamp Couplings**

- 47) 4" x 7" Universal, Smith Blair (Lawson #11600185) \$ \_\_\_\_\_ ea.
- 48) 6" x 7" Universal, Smith Blair (Lawson #11600202) \$ \_\_\_\_\_ ea.
- 49) 8" x 7" Universal, Smith Blair (Lawson #11600225) \$ \_\_\_\_\_ ea.
- 50) 4" x 12" Universal Clamp Coupling, SB #226-00045012-000-12½  
(Lawson #11600187) \$ \_\_\_\_\_ ea.
- 51) 6" x 12" Universal Clamp Coupling, SB #226-00066312-000-12½  
(Lawson #11600203) \$ \_\_\_\_\_ ea.
- 52) 8" x 12" Universal Clamp Coupling, SB #227-00086312-000-12½  
(Lawson #11600227) \$ \_\_\_\_\_ ea.

**IFB 25-012 TAPPING SADDLES, CLAMPS AND COUPLINGS**  
**Category 2 – Full Circle Repair Clamps (Cont'd)**

- 53) 1/2" Pipe Saver Clamps, SB #245-0008403-001, F #5C-8x3  
(Lawson #11600360) \$ \_\_\_\_\_ ea.
- 54) 3/4" Pipe Saver Clamps, SB #245-00010503-001, F #5C-12x3  
(Lawson #11600370) \$ \_\_\_\_\_ ea.
- 55) 1" Pipe Saver Clamps, SB #245-00013203-001, F #5C-13x3  
(Lawson #11600380) \$ \_\_\_\_\_ ea.
- 56) 1-1/4" Pipe Saver Clamps, SB #245-00016603-001, F #5C-17x3  
(Lawson #11600390) \$ \_\_\_\_\_ ea.
- 57) 1-1/2" Pipe Saver Clamps, SB #245-000190003-001, F #5C-19x3  
(Lawson #11600400) \$ \_\_\_\_\_ ea.
- 58) 2" Pipe Saver Clamps, SB #245-000238003-001, F #5C-24x3  
(Lawson #11600410) \$ \_\_\_\_\_ ea.

Manufacturer \_\_\_\_\_ Delivery \_\_\_\_\_

**Total Category 2 \$ \_\_\_\_\_**

**Category 3 – Cast Iron Dresser Style Couplings**

- 59) 2" Flanged Coupling Adapters, SB #926-00000250-000, or  
approved equal (Lawson #11600740) \$ \_\_\_\_\_ ea.
- 60) 3" Flanged Coupling Adapters, SB #912-00038003-000,  
JCM #301-0396x3R or approved equal (Lawson #11600750) \$ \_\_\_\_\_ ea.
- 61) 4" Flanged Coupling Adapters, SB #912-00048004-000,  
F #FCA-480-D4R, JCM #301-0480x4R (Lawson #11600760) \$ \_\_\_\_\_ ea.
- 62) 6" Flanged Coupling Adapters, SB #912-00096006-000,  
F #FCA-690-D6R, JCM #301-0690x6R (Lawson #11600770) \$ \_\_\_\_\_ ea.
- 63) 8" Flanged Coupling Adapters, SB #912-00090508-000,  
F #FCA-905-D8R, JCM #301-0905x8R (Lawson #11600780) \$ \_\_\_\_\_ ea.
- 64) 10" Flanged Coupling Adapters, SB #912-11101000-000,  
F #FCA-1146-D10R, JCM #301-1110x10R (Lawson #11600790) \$ \_\_\_\_\_ ea.

Manufacturer \_\_\_\_\_ Delivery \_\_\_\_\_

**Total Category 3 \$ \_\_\_\_\_**

**IFB 25-012 TAPPING SADDLES, CLAMPS AND COUPLINGS  
BID TABULATION**

**Category 1 Total**    \$ \_\_\_\_\_

**Category 2 Total**    \$ \_\_\_\_\_

**Category 3 Total**    \$ \_\_\_\_\_

**Grand Total**         \$ \_\_\_\_\_

**Please Note:** There are no guaranteed quantities of Tapping Saddles, Clamps or Couplings for this contract. Purchases will be made on an as “needed basis”. Purchase Order numbers are required for all purchases. All deliveries are to be made FOB Destination. No additional charges above the bid pricing will be allowed. This includes, but is not limited to, fuel surcharges.

**Company Name** \_\_\_\_\_ **Payment Terms** \_\_\_\_\_

**Address** \_\_\_\_\_

**City, State, Zip** \_\_\_\_\_

**Submitted By** \_\_\_\_\_ **Title** \_\_\_\_\_  
Please Print

**Phone** \_\_\_\_\_ **Email Address** \_\_\_\_\_  
Please Print

The signer declares under penalty of perjury that she/he is authorized to sign this document and bind the company or organization to all of the terms and conditions of this agreement.

**Signature** \_\_\_\_\_ **Date** \_\_\_\_\_



# 101U & 202U SERVICE SADDLE

## SUBMITTAL INFORMATION



101U

202U

## MATERIALS

### CASTING

The saddle body is cast from ductile (nodular) iron, meeting or exceeding ASTM A 536, Grade 65-45-12.

### GASKET

Gasket is made from Nitrile Butadiene Rubber (NBR) compounded for water and sewer service and a tolerance of petroleum products in accordance with ASTM D 2000 MBC 610 and NSF 61 Certified. Other compounds available for special applications.

### U BOLT, NUTS & WASHERS

Sizes 1-1/2" through 3", use 1/2" U bolt with heavy hex nuts and 1/2" flat washers, 4" and above use 5/8" U bolt with heavy hex nut and 5/8" flat washers. All sizes are national coarse roll threaded. Steel meets AISI C1018 and is electro-galvanized. 316 stainless steel is available upon request.

## COATING

Shop coat applied to cast parts for corrosion protection in transit.

## PRESSURE

Ductile iron, cast iron and steel pipe: rating of pipe up to 350 psi maximum. For other applications please consult your representative.

## STANDARD

Contact Romac Engineering for ANSI/AWWA C800 Spec and Approval Chart.

## SIZES & RANGES

See Catalog.

11/29/2018

Document # 25-8-0001

*This information is based on the best data available at the date printed above. Please check with Romac for any updates or changes.*

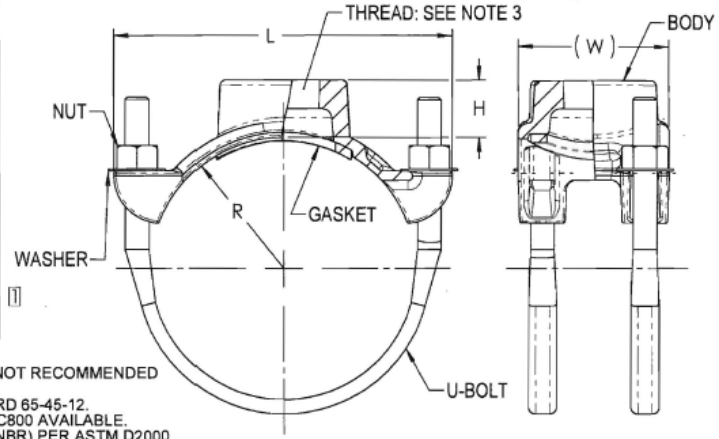


www.romac.com  
21919 20th Avenue SE • Suite 100 • Bothell, WA 98021  
Phone (425) 951-6200 • 1-800-426-9341 • Fax (425) 951-6201

FOR CUSTOMER USE

DIMENSIONS					
NOM. SIZE	PIPE OD RANGE	L	R	H	W
2"	2.38 - 2.50	4.88	1.25	1.35	3.31
	3.50	5.94	1.75	1.35	3.31
3"	3.45 - 4.05	6.38	2.21	1.35	3.31
	4.00 - 4.50	6.94	2.25	1.50	4.00
4"	4.50 - 4.80	7.00	2.40	1.50	4.00
	4.50 - 5.40	7.63	2.70	1.50	4.00
6"	6.00 - 6.63	8.75	3.32	1.50	4.00
	6.63 - 6.90	8.81	3.45	1.50	4.00
8"	6.63 - 7.60	9.50	3.80	1.50	4.00
	8.00 - 8.63	11.19	4.32	1.50	4.00
10"	8.63 - 9.05	11.13	4.53	1.50	4.00
	8.63 - 9.80	11.81	4.90	1.50	4.00
12"	10.00 - 11.10	13.06	5.55	1.50	4.00
	11.10 - 12.12	14.19	6.06	1.50	4.00
	12.00 - 13.20	15.19	6.60	1.50	4.00
	13.20 - 14.38	16.31	7.19	1.50	4.00

REVISIONS				
REV.	ZONE	DESCRIPTION	DATE	EDITOR
1	B2	REMOVED 12.00-12.75 SADDLE. OBSOLETE CASTING. "L" DIM FOR 13.20 WAS 16.19'	7/7/2017	DJR
		REMOVED 10.00-10.75 SADDLE. OBSOLETE CASTING		



- NOTE:
- SERVICE SADDLES WITH U-BOLTS ARE NOT RECOMMENDED FOR USE ON PVC PIPE.
  - BODY: DUCTILE IRON PER ASTM A536 GRD 65-45-12.
  - THREAD: "IP" (NPT) OR "CC" PER AWWA C800 AVAILABLE.
  - GASKET: NITRILE BUTADIENE RUBBER (NBR) PER ASTM D2000 MBC 610.
  - COATING:
    - 202U - SHOPCOAT ENAMEL
    - 202NU - NYLON
  - U-BOLT:
    - ELECTRO-GALVANIZED STEEL MEETING AISI C1018 WITH FLAT WASHERS AND HEAVY HEX NUTS.
    - 316 STAINLESS STEEL AVAILABLE UPON REQUEST.
    - 1-1/2" THROUGH 3" SIZES, 1/2"-NC ROLL THREAD.
    - 4" AND LARGER SIZES, 5/8"-UNC ROLL THREAD.

RELEASED

PROPRIETARY NOTICE THIS DRAWING CONTAINS CONFIDENTIAL PROPRIETARY INFORMATION AND IS THE PROPERTY OF ROMAC IND., INC. IT IS TO BE USED ONLY FOR THE PURPOSE FOR WHICH IT WAS SUBMITTED AND SHALL NOT HAVE ITS INFORMATION DISCLOSED OR REPRODUCED IN WHOLE OR IN PART FOR ANY PURPOSE WITHOUT PRIOR WRITTEN PERMISSION OF ROMAC IND., INC.		UNLESS OTHERWISE SPECIFIED DIMENSIONS ARE IN INCHES TOLERANCES ARE ON: 1 PL DECIMALS ± 0.050 2 PL DECIMALS ± 0.030 3 PL DECIMALS ± 0.010 ANGLES ± 1° FRACTIONS ± 1/64 DIMENSIONS IN ( ) ARE FOR REFERENCE ONLY		SIGNATURES DRAWN Derek Richardson APPROVED Sam Hill		DATE 07/07/2017 7/10/2017		ROMAC INDUSTRIES INC. TITLE 202U AND 202NU SERVICE SADDLES, 2" - 12"			
MODEL NAME: 202U AND 202NU SERVICE SADDLES, 2 IN - 12 IN MODEL CAD #: CAD-02966 VERSION:		CONFIGURATION NAME: Default		THIRD ANGLE PROJECTION		DWG. NO. B2621-A		SIZE A	REV. NO. R0	SCALE 1:3	SHEET 1 OF 1
				FDM DRAWING # CAD-015465 DRAWING FILE NAME: 202U AND 202NU SERVICE SADDLES, 2 IN - 12 IN		AUTHOR: Derek Richardson					

# DOUBLE STRAP SERVICE SADDLES



**STYLE 2025**  
PAINTED SADDLE WITH  
STAINLESS STEEL STRAPS



**STYLE 202NS**  
NYLON COATED SADDLE  
WITH STAINLESS STEEL STRAPS



NSF  
INTERNATIONAL  
NSF-61

NOM. PIPE SIZE	O.D. SIZE RANGE	½" I.P., ¾" & 1" I.P. OR C.C. TAP			1¼" - 1½" - 2" I.P. OR C.C. TAP (2½" I.P. ONLY)			APPROX. WEIGHT EA. (lbs.)
		2025	202NS	CTN QTY	2025	202NS	CTN QTY	
2"	2.38 - 2.50 <sup>1</sup>	\$100.37	\$123.22	10	\$108.85 <sup>1</sup>	\$135.09 <sup>1</sup>	10	3.5 #
	3.50 <sup>2</sup>	100.56	124.30	8	115.53	135.35	8	5.0 #
3"	3.45 - 4.05 <sup>2,3</sup>	100.56	124.30	8	115.53	135.35	8	5.0 #
	4.00 - 4.50	101.22	124.30	5	115.53	135.35	5	7.5 #
4"	4.50 - 4.80	101.22	124.30	5	115.53	135.35	5	7.5 #
	4.50 - 5.40 <sup>4</sup>	102.17	124.30	5	115.53	135.35	5	7.5 #
6"	6.00 - 6.63	113.94	142.80	6	128.38	155.11	6	9.0 #
	6.63 - 6.90	113.94	142.80	6	128.38	155.11	6	9.0 #
	6.63 - 7.60 <sup>4</sup>	113.94	142.80	6	128.38	155.11	6	9.0 #
8"	8.00 - 8.63	138.22	166.09	4	159.09	177.03	4	10.0 #
	8.63 - 9.05	138.22	166.09	4	159.09	177.03	4	10.0 #
	8.63 - 9.80 <sup>4</sup>	143.06	166.09	4	159.09	177.03	4	10.0 #
10"	10.00 - 11.10	167.92	200.55	4	192.05	216.16	4	11.5 #
	11.10 - 12.12 <sup>4</sup>	167.92	200.55	4	192.05	216.16	4	11.5 #
12"	12.00 - 13.20	194.68	233.45	4	222.48	250.02	4	12.5 #
	13.20 - 14.38 <sup>4</sup>	194.68	233.45	3	222.48	250.02	3	12.5 #
14"	15.30 - 16.80	232.97	272.06	4	235.69	289.80	4	15.3 #
16"	17.40 - 18.90	237.36	319.90	3	266.47	341.94	3	16.0 #
18"	19.50 - 21.10	364.98	445.76	3	386.87	468.01	3	18.0 #
20"	21.10 - 22.70	408.69	499.00	3	433.31	524.15	3	20.0 #
22"	22.70 - 24.30	429.16	524.24	3	454.89	550.37	3	21.0 #
24"	24.30 - 25.90	480.71	587.16	3	509.50	616.39	3	23.0 #
26"	25.70 - 27.30	485.51	591.97	3	514.31	621.22	3	24.0 #
28"	27.30 - 28.90	490.33	596.77	3	519.12	626.03	3	24.5 #
30"	28.90 - 30.50	495.14	601.59	3	523.92	630.83	3	25.0 #
	30.50 - 32.10	499.94	606.40	3	528.74	635.65	3	26.0 #

SERVICE SADDLES

Prices and weights shown are per saddle.

<sup>1</sup> 202 - 2.50 can accommodate up to 1 1/2" I.P. and C.C.

<sup>2</sup> 202 for 3" nominal size can accommodate up to 2" I.P. and 1 1/2" C.C.

<sup>3</sup> Not recommended for iron pipe size PVC

<sup>4</sup> Not recommended for PVC pipe.

**Manufacturer Recommendations:**

For PVC applications select the saddle with the top of range number that is closest to the diameter of the pipe.

**FOR COPPER PIPE** Romac recommends single strap saddles which should be preformed at the factory, or see 304/306 stainless steel saddles.

**TO ORDER:** Add tap size to the upper range of the saddle.

STYLE    UPPER RANGE    TAP SIZE    TYPE

**EXAMPLE:** Painted Saddle with Stainless Strap: **2025 - 7.60 x 3/4" IP**

Nylon Saddle with Stainless Steel strap: **202NS - 7.60 x 3/4" IP**

CAD-023239

REVISIONS			
REV.	DESCRIPTION	DATE	EDITOR
0	INITIAL RELEASE	*15 SEP 28	DM EATON

HEAVY HEX NUTS  
COATED TO PREVENT  
GALLING

WASHER

STUD

L

1.35

GASKET, NBR  
RUBBER

STRAP

3.3

2.0

4.7

NOTE:

1. BODY: DUCTILE IRON PER ASTM A536 GRD 65-45-12.
2. COATING: NYLON, 10-12 MILS THICK.
3. THREAD: "1P" (NPT) OR "CC" PER AWWA C800 AVAILABLE.
4. STRAP, STUD, AND NUT: TYPE 304 STAINLESS STEEL:
  - WELDING: GMAW AND GTAW, CHEMICALLY CLEANED AND PASSIVATED.
  - 1/2-NC ROLL THREAD, WITH HEAVY HEX NUTS AND 1/2" FLAT WASHER.

DIMENSIONS					
NOM SIZE	PIPE OD RANGE	L	R	H	W
2"	2.38 - 2.50	4.88	1.25	1.35	3.31
	3.50	5.94	1.75	1.35	3.31
3"	3.45 - 4.05	6.38	2.21	1.35	3.31

PROPRIETARY NOTICE  
THIS DRAWING CONTAINS CONFIDENTIAL PROPRIETARY INFORMATION AND IS THE PROPERTY OF ROMAC IND., INC. IT IS TO BE USED ONLY FOR THE PURPOSE FOR WHICH IT WAS SUBMITTED AND SHALL NOT HAVE ITS INFORMATION DISCLOSED OR REPRODUCED IN WHOLE OR IN PART FOR ANY PURPOSE WITHOUT PRIOR WRITTEN PERMISSION OF ROMAC IND., INC.

UNLESS OTHERWISE SPECIFIED  
DIMENSIONS ARE IN INCHES  
TOLERANCES ARE ON:  
1 PL DECIMALS ±  
2 PL DECIMALS ±  
3 PL DECIMALS ±  
ANGLES 1°  
FRACTIONS ±

SIGNATURES  
DRAWN  
Del Eaton  
APPROVED  
Peter Nielsen

DATE  
09/28/2015  
9/29/2015



ROMAC INDUSTRIES INC.  
TITLE  
202S AND 202NS SADDLES  
2" - 3"

DWG. NO.  
CAD-023239

SIZE A REV. NO. RD SCALE 1:3 SHEET 1 OF 1

MODEL NAME: 202S ASSY  
CONFIGURATION NAME: Default

MODEL CAD #: CAD-023191

LEGACY DRAWING #  
DRAWING FILE NAME: 202S-202N 2-3 CLUST DWG

AUTHOR: Del Eaton

**END OF SPECIFICATIONS**