

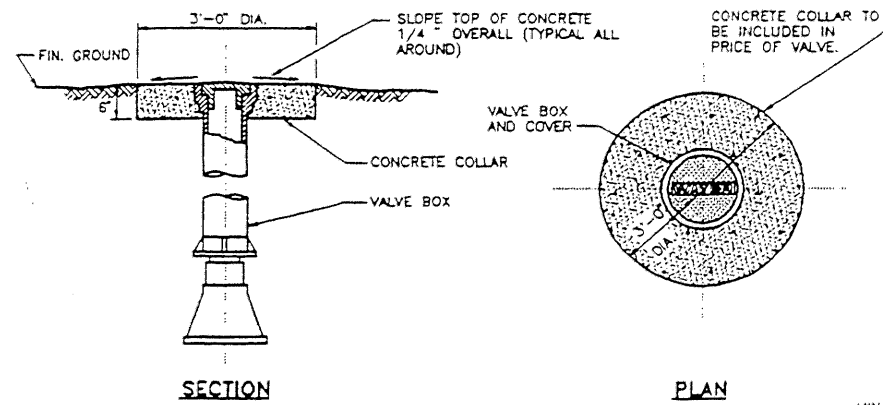
APPENDIX B

WATER LINE CONSTRUCTION DETAILS

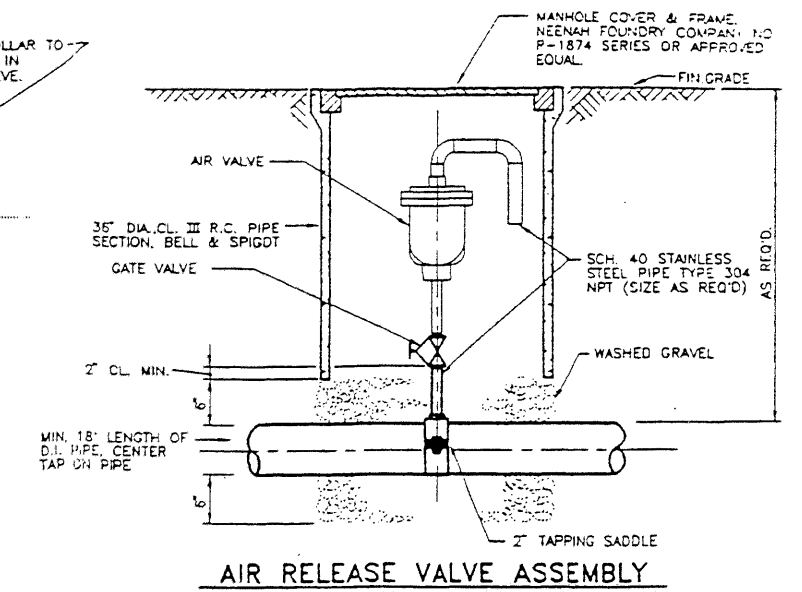
(1 SHEET REVISED)

LOWER FIRE

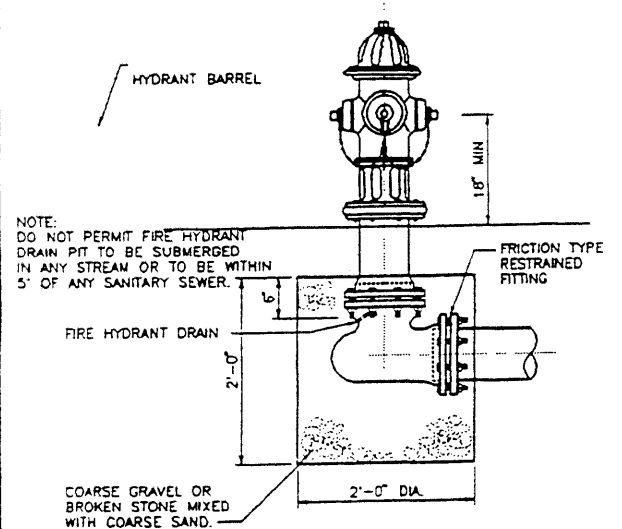
TYPICAL THRUST BLOCKS			
MINIMUM THRUST BLOCK AREA SQ. FT. L (FT.) X H (FT.)			
INSIDE DIA. PIPE LINE IN INCHES	90° BENDS	TEES, DEAD ENDS, OR 45° BENDS	22½° BENDS
6"	3.0	2.2	1.0
8"	5.5	4.0	1.5
10"	8.5	6.0	2.5
12"	12.0	9.0	3.5
16"	22.0	16.0	6.0
18"	27.0	20.0	8.0
20"	34.0	24.0	10.0
24"	48.0	34.0	14.0
30"	75.0	53.0	21.0



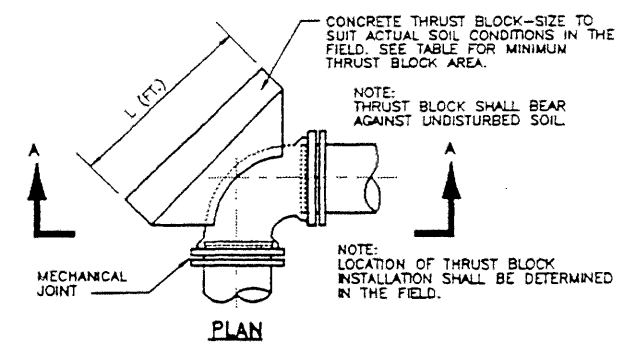
VALVE BOX COLLAR DETAIL



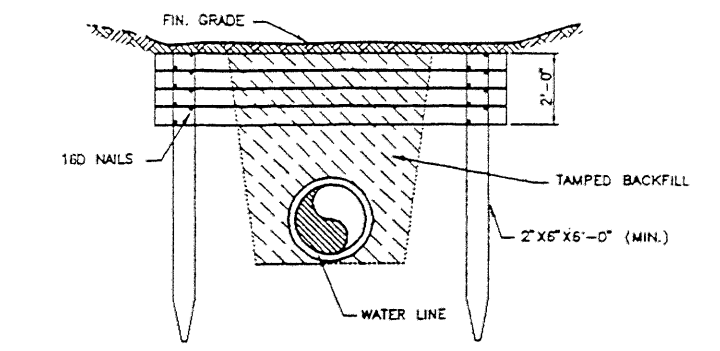
AIR RELEASE VALVE ASSEMBLY



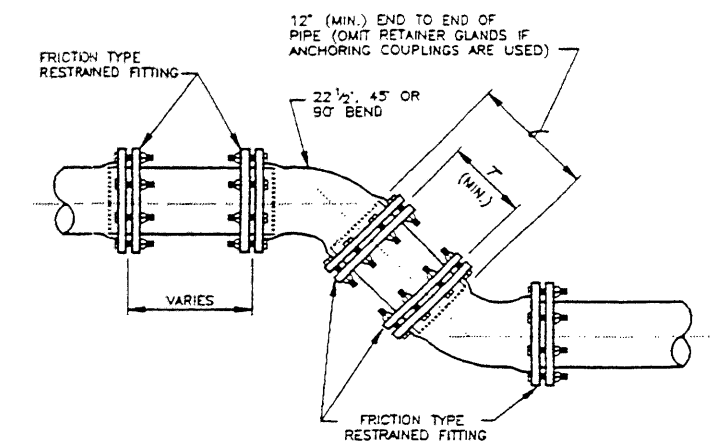
TYPICAL FIRE HYDRANT DRAIN PIT



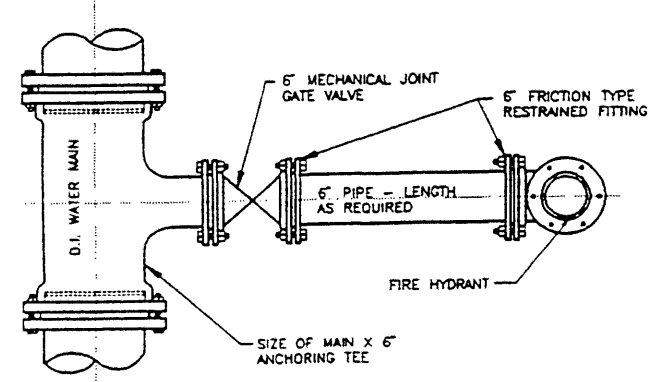
TYPICAL THRUST BLOCK DETAIL FOR BENDS



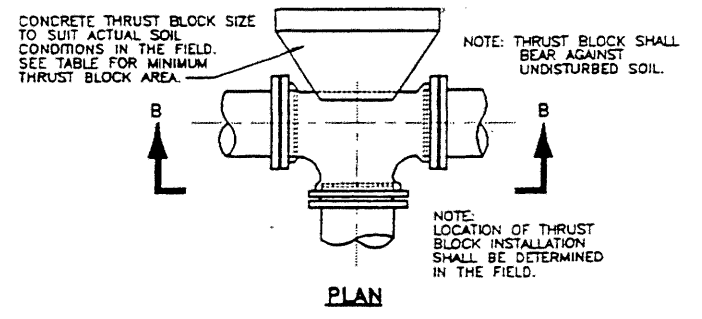
TYPICAL TIMBER DITCH CHECK



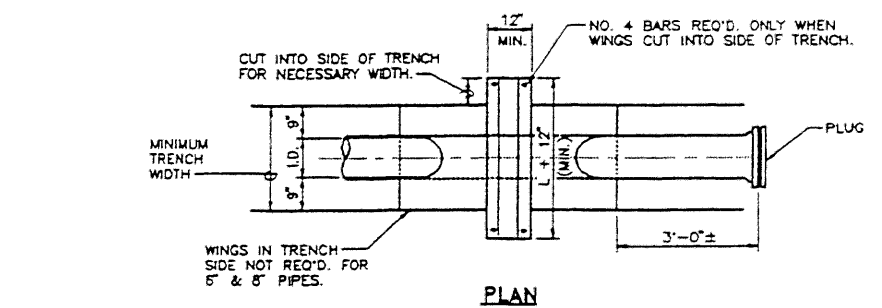
ANCHORING OF VERTICAL OR HORIZONTAL BENDS WHERE THRUST BLOCKS ARE NOT DESIRED



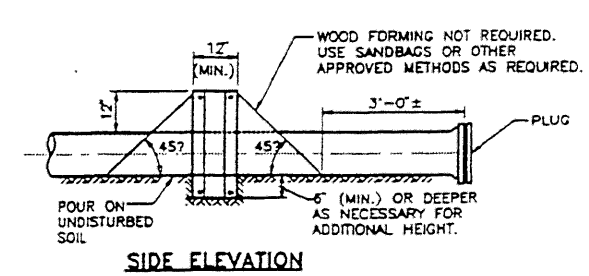
FIRE HYDRANT CONNECTION TO WATER MAIN (TYPICAL)



TYPICAL THRUST BLOCK DETAIL FOR TEES

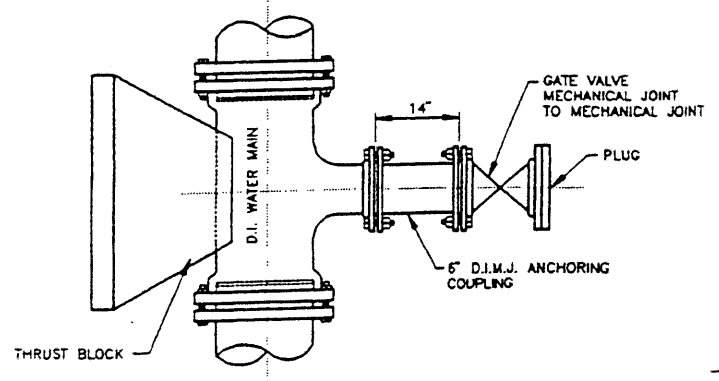


FRONT ELEVATION

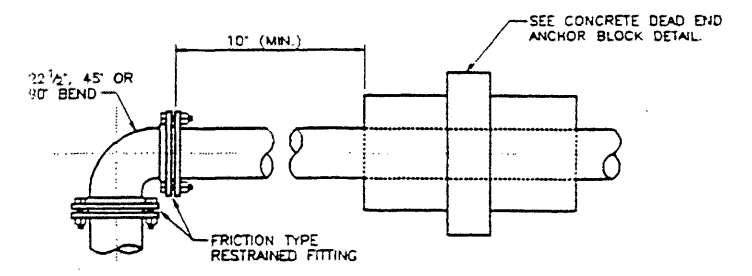


SIDE ELEVATION

CONCRETE DEAD END ANCHOR BLOCK DETAILS



STUBOUT FOR FUTURE CONNECTION (TYPICAL)



ANCHORAGE OF BENDS WHERE THRUST BLOCKS ARE NOT DESIRED - DEAD END ANCHORS

NO.	REVISION	DATE	ENG.	DATE	ISSUED FOR

VERIFY SCALES BAR IS ONE INCH ON ORIGINAL DRAWING 0 1'	DESIGNER	APPROVED	SEAL
IF NOT ONE INCH ON THIS SHEET ADJUST SCALES ACCORDINGLY	DRAWN BY	APPROVED	
	ENGINEER		
	PROJECT MGR.		
	CHECKED BY	DATE	

BOARD OF WATER AND SEWER COMMISSIONERS OF THE CITY OF MOBILE, ALABAMA	SCALE N.T.S.
WATER LINE CONSTRUCTION DETAILS	PROJECT NO.
	DRAWING NO.
	SHEET OF